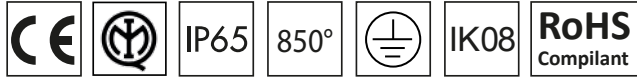


Industrial and commercial suspended LED high-bay.

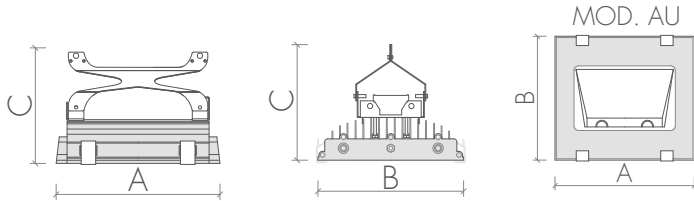
**Body:** trafilated aluminium oxydate, tempered transparent glass mm 5 thickness, silicon gasket. Aluminium clips closing.

**Standard gear:** electronic ballast 230V.

**Louvers and diffusers:** Matt satin symmetric aluminium reflector.



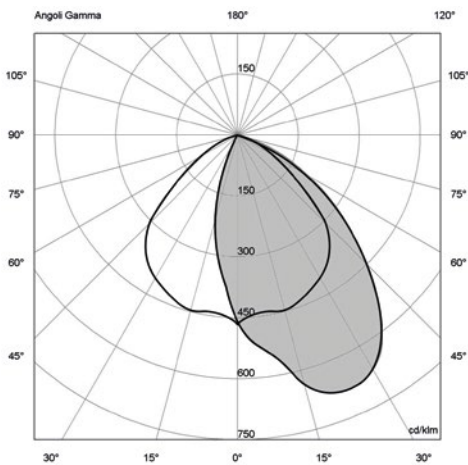
MADE IN ITALY



MOD.	W	Cod. EL	lamp	°K	Lm (Tc=25°)	Lm (Output)	A	B	C	Kg	mc		
AU	120	8095AU4120EL	2 led HP	4000	16712	13369	315	280	230	6,5	0,022	1	90
	120	8095AU5120EL	2 led HP	5000	16916	13532	315	280	230	6,5	0,022	1	90
	150	8095AU4150EL	2 led HP	4000	20038	16030	315	280	230	6,5	0,022	1	90
	150	8095AU5150EL	2 led HP	5000	20282	16225	315	280	230	6,5	0,022	1	90
	185	8095AU4185EL	2 led HP	4000	23218	18574	315	280	230	6,5	0,022	1	90
	185	8095AU5185EL	2 led HP	5000	23500	18800	315	280	230	6,5	0,022	1	90
	225	8095AU4225EL	2 led HP	4000	30248	24198	315	280	230	6,5	0,022	1	90
	225	8095AU5225EL	2 led HP	5000	30618	24494	315	280	230	6,5	0,022	1	90

OPERATING TEMP.	CRI (RA)	LIFE (h)	DEGRADATION INDEX	POWER SUPPLY	NORMS
-30+45°C	80	>50 000h	L70 - LM80-TM21	230-240V 50/60Hz	EN / IEC 60598-1:2008

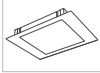
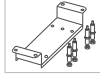


## PHOTOMETRIC DATA



Optic type: Asymmetric

Angle: 90°

## OPTIONS

-  COD. IN01  
Frame for recessed.
-  COD. PL01  
Kit surface moutage.
-  COD. VI01  
Vetro infrangibile
-  COD. IM  
Dimmerable 1-10V electronic ballast