

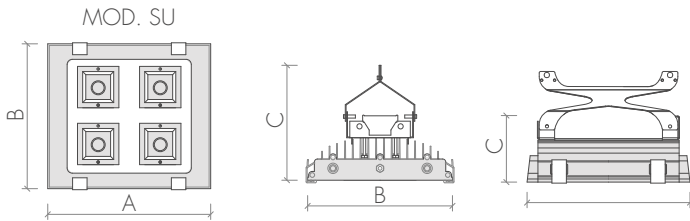
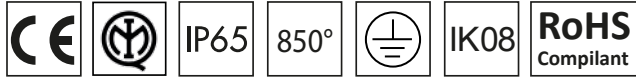
Industrial and commercial suspended LED high-bay.

Body: trafilated aluminium oxydate, tempered transparent glass mm 5 thickness, silicon gasket.

Standard gear: electronic ballast 230V.

Louvers and diffusers: Matt satin symmetric aluminium reflector.

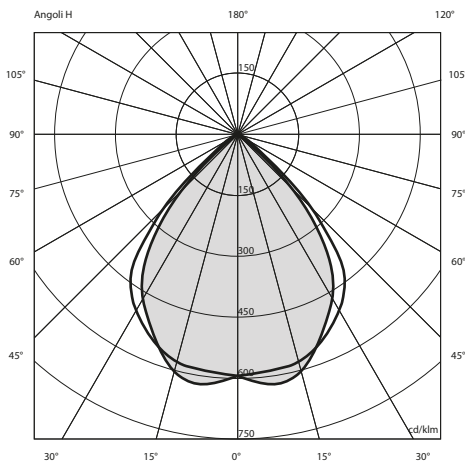
Standard gear: electronic ballast 230V.



MOD.	W	Cod. EL	lamp	°K	Lm (Tc=25°)	Lm (Output)	A	B	C	Kg	mc		
SU	230	8098SU4230EL	4 led HP	4000	30676	26074	315	280	230	6,5	0,022	1	90
	230	8098SU5230EL	4 led HP	5000	31052	26394	315	280	230	6,5	0,022	1	90

OPERATING TEMP.	CRI (RA)	LIFE (h)	DEGRADATION INDEX	POWER SUPPLY	NORMS
-30+50°C	80	>50 000h	L70 - LM80-TM21	230-240V 50/60Hz	EN / IEC 60598-1:2008

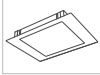
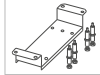


PHOTOMETRIC DATA



Optic type: Symetric

Angle: 90°

OPTIONS

-  COD. IN01
Frame for recessed.
-  COD. PL01
Kit surface moutange.
-  COD. V101
Vetro infrangibile
-  COD. LM
Alimentatore Dimmerabile 1-10V