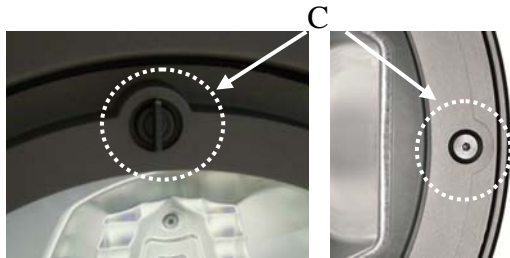




Pic. 1 – Bracket mounting

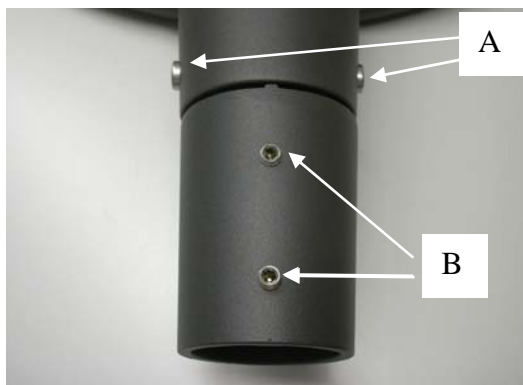


Pic. 2 – Post-top mounting

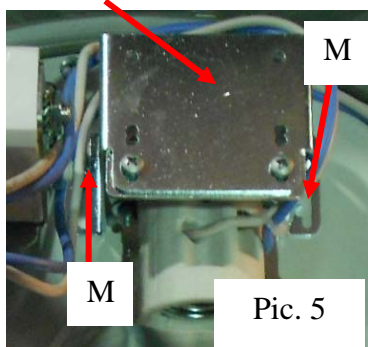


Pic. 3-A

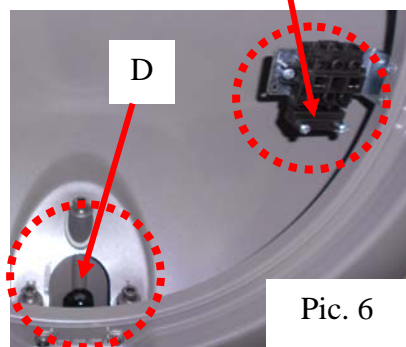
Pic. 3-B



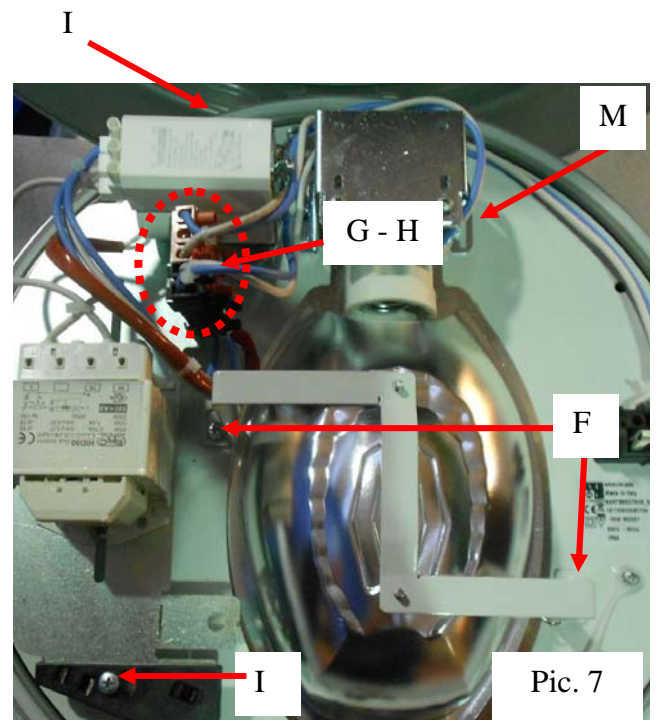
Pic. 4



Pic. 5



Pic. 6



Pic. 7

**MOUNTING AND MAINTENANCE INSTRUCTION**

To mount the luminaire it is necessary to correctly place the attachment suitable for post-top mounting (Pic. 2) or bracket mounting (Pic. 1).

Block in position the attachment using the n°2 10x25 screws (A – Pic. 4). Tighten the screws with a set screw wrench of 8mm applying a twisting moment of 30Nm.

The fixing system is suitable for Ø60 mm poles and brackets.

To fix the attachment to the pole/bracket tighten the n°2 10x20 grub screws (B – Pic. 4). Tighten the grub screws with a set screw wrench of 5mm applying a twisting moment of 15Nm.

To gain access to the electrical line is enough turn the closing knob (C – Pic. 3-A) or loosen the 8x50 screw (C – Pic. 3-B) using a set screw wrench of 5mm.

To connect the luminaire to the electrical line, insert the cable through the cable clamp (D – Pic. 6) and connect it to the on-load switch (respect the polarity L – N). See "ELECTRICAL LINE CONNECTION" for further details. The feeding of the fitting has to be done with a bipolar cable with nominal diameter between 7 and 13 mm. Once connected the cable tighten the cable clamp with an adjustable wrench of 25mm applying a twisting moment of 5Nm.

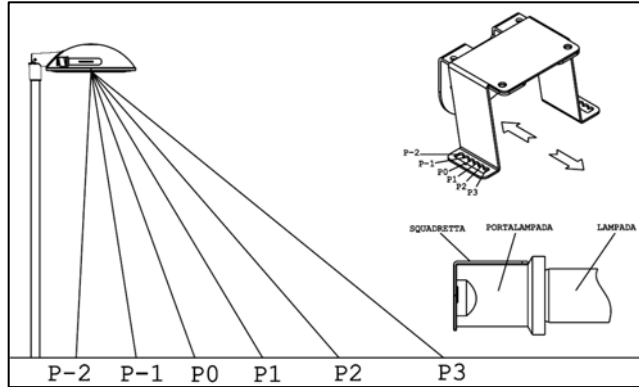
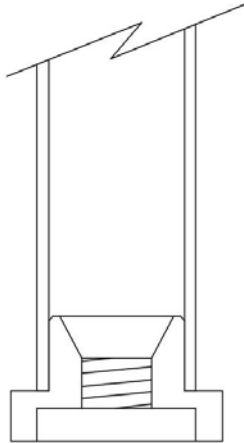
To change the lamp loosen the 2 screws (F – Pic. 7) and lift the reflector. Change the lamp and replace the reflector in right position and block it with the n°2 screws (F).

If needed, you can extract the gear tray disconnecting the connectors (G - H) and loosening the screws (I) [Pic. 7]. After making necessary operations, replace the gear tray in right position, tighten the 2 screws and connect the 2 connectors.

To close the luminaire lift up the lower frame and turn the closure knob (C – Pic. 3-A) or tighten the screw 8MA x 50 (C - Pic. 3-B) using a set screw wrench of 5mm applying a twisting moment of 8Nm.

The lamp holder system (L) allows to adjust the horizontal focus of the lamp in 6 positions. In this way the photometric solid can fit the width of the road: to change the focus of the lamp just loosen the 2 side screws (M) and slide the lamp holder system to the desired position.

Finally screw the 2 screws (M).

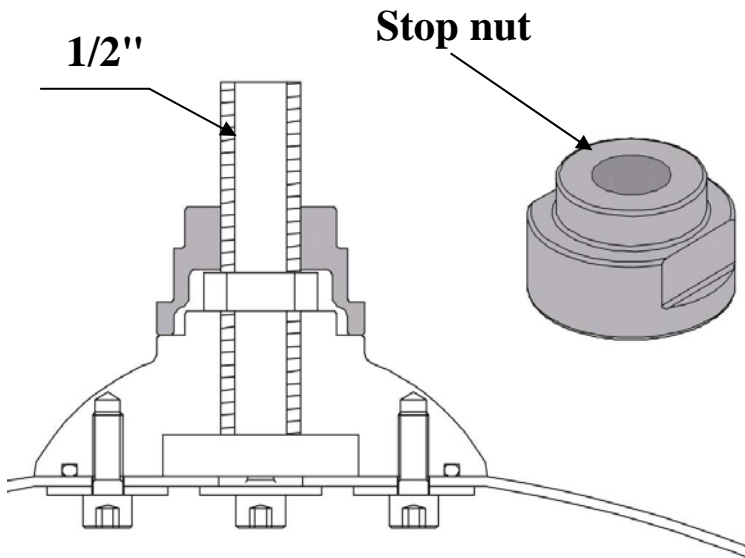


**MOUNTING INSTRUCTION**

*Luminaire on 1/2" installation*

To fixing the luminaire to the bracket, it is necessary screw the luminaire until the end, then put the luminaire in right position according to the optic installation (see Pic. below).

Finally tighten the stop nut, locking the luminaire with the bracket. Tighten the stop nut with an adjustable wrench of 46mm.

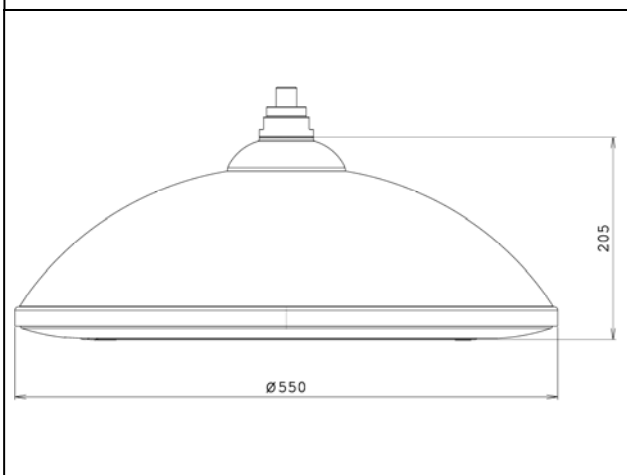


**ST OPTIC**  
**Lamp holder system**

**NORMAL position**      **ROTATED position**

Optic	Lamp holder	Lamp type	Lamp holder position
ST	E27	50/70W SHP-T	P5
ST	E40	100/150W SHP-T	P1
ST	E27	70W MHL-T	P5
ST	E40	100/150W MHL-T	P1
ST	E27	70/100/150W MHL-E	P2 Rotated
ST	PGZ12	45/60W CPO	P4
ST	PGZ12	90/140W CPO	P3

**ARMONIA 55**



Wind area

0,07 mq (side)      0,23 mq (base)

Form factor: 1.2

ARMONIA 55 TB	
LAMP	WEIGHT [kg]
35W	12
50W	12
70W	12
100W	13
150W	13

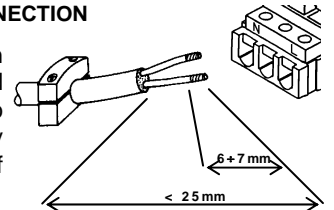
Suggested height of installation		
Power [W]	H min [m]	H max [m]
70	3	7
100	4	8
150	4	10

**Lamp type**

Model	Lamp type			
	SHP E	SHP T	MHL E	MHL T
<b>ARMONIA 55</b>	-	-	35W	-
	50W	50W	50W	50W
	70 W	70 W	70 W	70 W
	100 W	100 W	100 W	100 W
	150 W	150 W	150 W	150 W

**ELECTRICAL LINE CONNECTION**

In order to insure double insulation characteristic of the feeder cable, we would advise that you first secure the feeder cable to the internal cable clamp, remove approximately 25mm of external sheathing, and 6mm of sheathing from the internal wires.

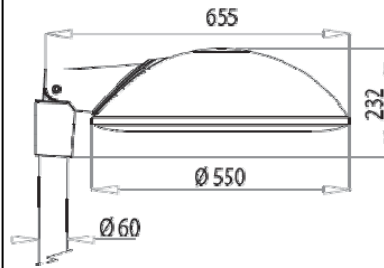


**INFORMATION TO THE CUSTOMERS**

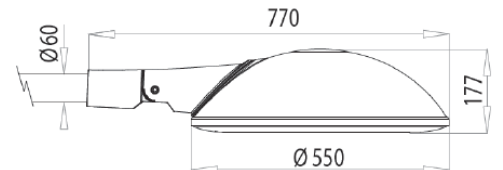
Directive 2002/96/EC (Waste Electrical and Electronic Equipment - WEEE): information for users.

This product complies with EU Directive 2002/95/EC. The crossed-out wastebasket symbol on the appliance means that at the end of its useful lifespan, the product must be disposed of separately from ordinary household wastes. The user is responsible for delivering the appliance to an appropriate collection facility at the end of its useful lifespan. Appropriate separate collection to permit recycling, treatment and environmentally compatible disposal helps prevent negative impact on the environment and human health and promotes recycling of the materials making up the product. For more information on available collection facilities, contact your local waste collection service.

**ARMONIA 55 TB Post-top**

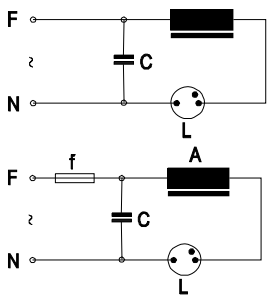


**ARMONIA 55 TB Bracket**

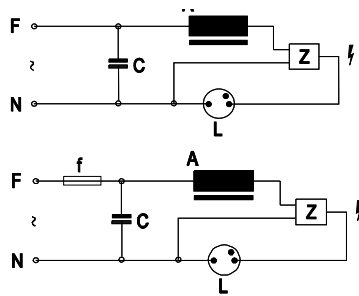


**WIRING SCHEME**

50 W ÷ 70 W SHP



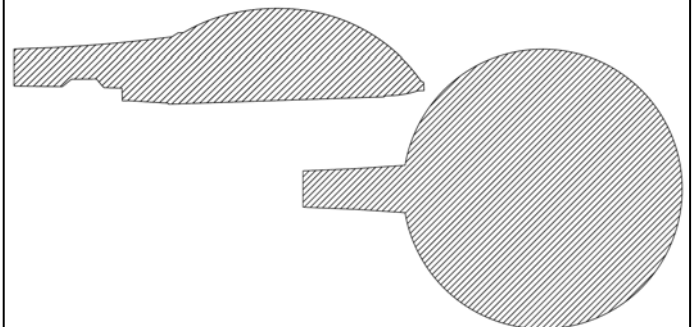
50 W ÷ 150W SHP  
35 W ÷ 150W MHL



A – Ballast                      L – Lamp                      f – Fuse  
C – Capacitor                      Z – Ignitor

**Wind area**

0,09mq (side)                      0,26 mq (base)



Form factor: 1.2

**ATTENTION**

- The luminaire can be installed close to flammable surfaces.
- Class II luminaires must be installed in such a way that it is impossible for any exposed metal part to come in contact with electrical components.
- Luminaires for Metal Halide lamps must be always complete with its protective screen.
- For luminaires with Metal Halide lamps, damaged protective shields can only be replaced with original AEC Illuminazione's replacement shields.
- On luminaires for Metal Halide lamps use only UV Stop protected lamps.
- This luminaire has been designed and manufactured following all relevant standards. The installation must be done by experienced personnel and following the instructions.

The present instruction paper has to be kept for any future maintenance operation on the luminaire. Non compliance with the above will automatically release AEC Illuminazione Srl from any responsibility.

