

Lamp type CLASS I – CLASS II
Dimensions – Weight IP23 / IP44 (VP or with screen)

Area exposed to the wind = m² 0,17

Form factor = 1.2

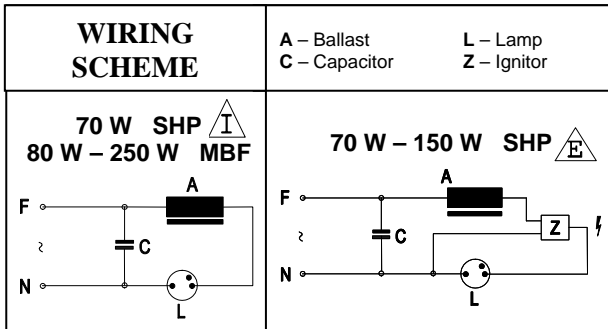
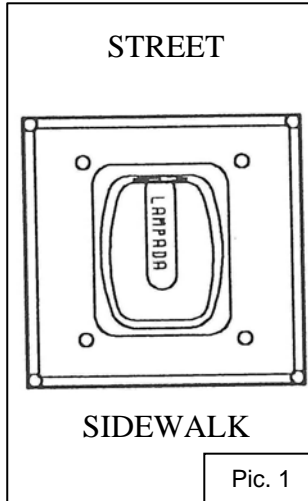
MOUNTING AND MAINTENANCE INSTRUCTION

Pole head and bracket mounting.

To the correct functioning of the optical group, place the luminaire as indicated in Pic. 1.

To post-top mounting, the cable must be passes through the appropriate guide at side of the luminaire.

Modello Model	Tipi di Lampade Type of Lamps			Dimensioni mm Dimensions mm	Peso Weight
	MBF	SHP	MHL		
LF 13	80 W	70 W	70 W	420 x 420 x 780 H	kg. 9 ÷ 15
	125 W	100 W	100 W		
	250 W	150 W	150 W		
LF 14	80 W	70 W	70 W	420 x 420 x 780 H	kg. 12 ÷ 16
	125 W	100 W	100 W		
	250 W	150 W	150 W		



CLASS I CONNECTION

To connect the luminaire to the electrical line use a bipolar cable + heart. The earth cable (yellow-green) must to be connected to the terminal

CLASS II CONNECTION

To connect the luminaire to the electrical line use a bipolar cable.

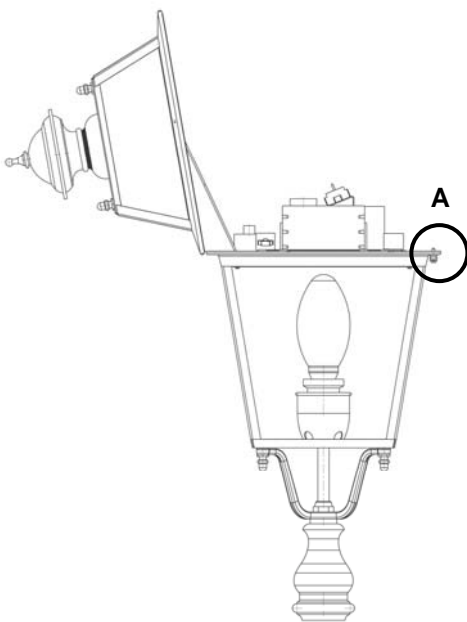
To change the lamp unscrew the knob (A), lift the upper frame and block it with the safety stick.

So lift the reflector and change the lamp. Then replace the components in right position.

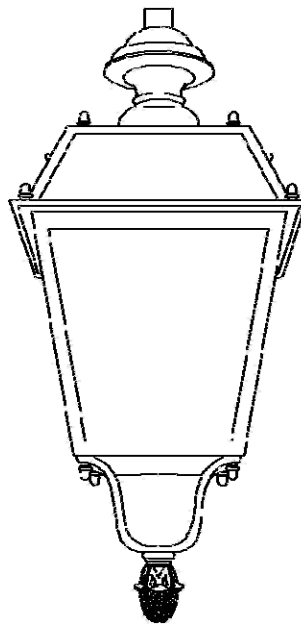
INFORMATION TO THE CUSTOMERS

Directive 2002/96/EC (Waste Electrical and Electronic Equipment - WEEE): information

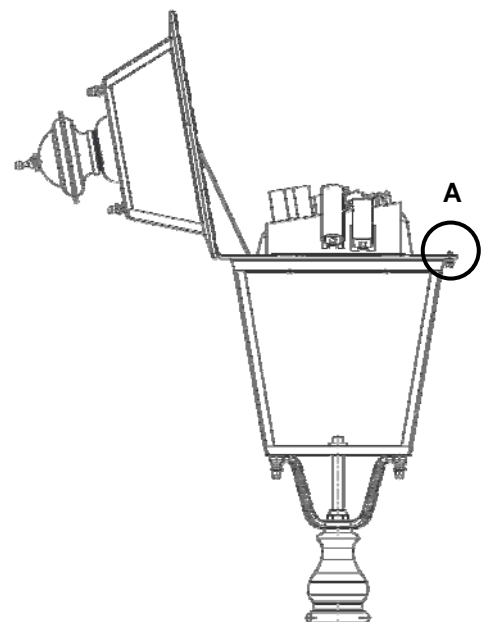
This product complies with EU Directive 2002/95/EC.
 The crossed-out wastebasket symbol on the appliance means that at the end of its useful lifespan, the product must be disposed of separately from ordinary household wastes. The user is responsible for delivering the appliance to an appropriate collection facility at the end of its useful lifespan. Appropriate separate collection to permit recycling, treatment and environmentally compatible disposal helps prevent negative impact on the environment and human health and promotes recycling of the materials making up the product. For more information on available collection facilities, contact your local waste collection service.



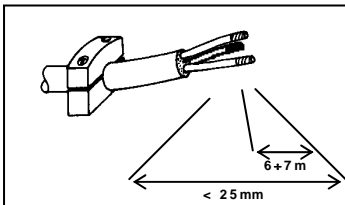
Standard version



LS version



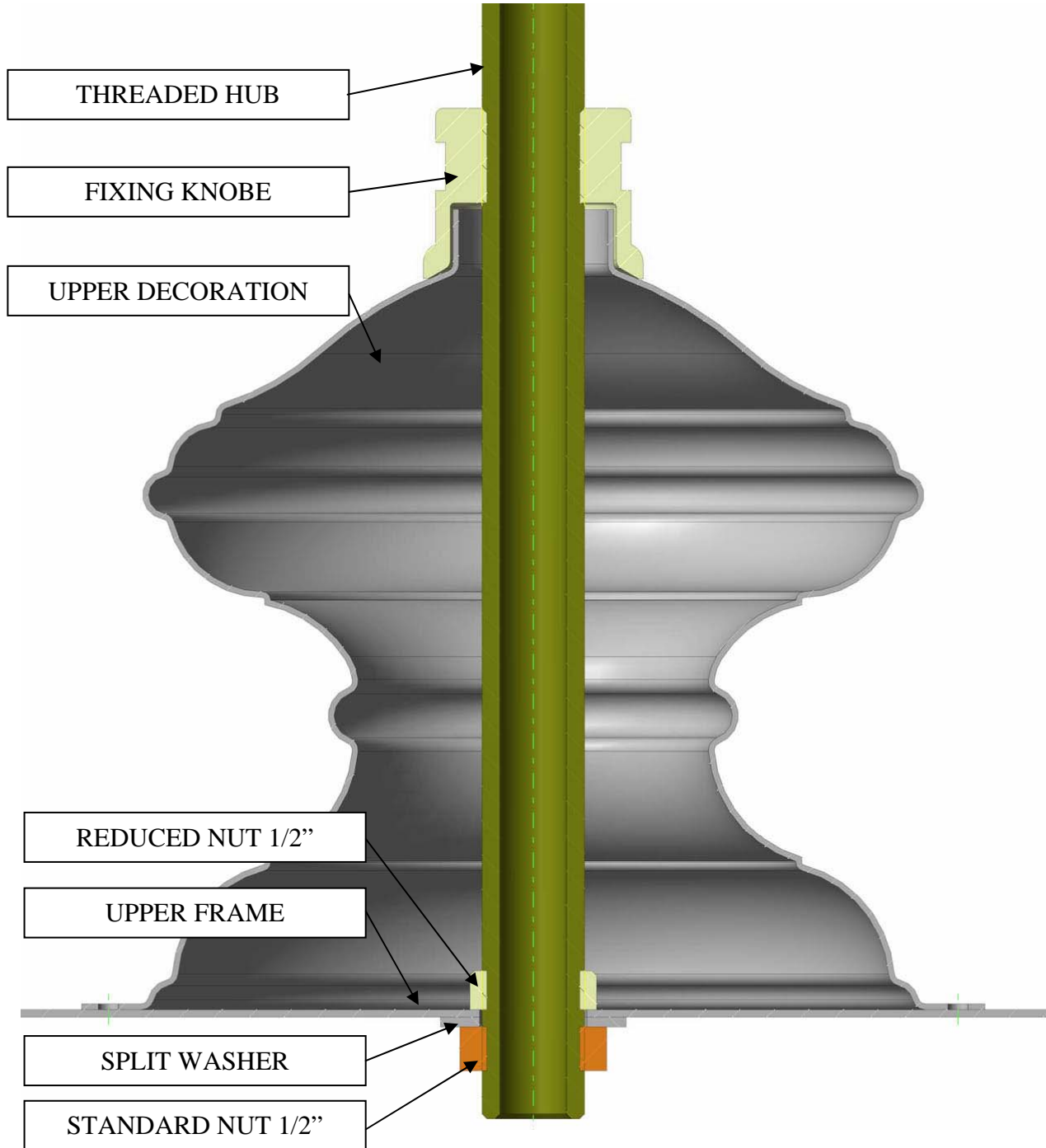
Cut-Off version



ELECTRICAL LINE CONNECTION

In order to insure insulation characteristic of the feeder cable, we would advise that you first secure the feeder cable to the internal cable clamp, remove approximately 25mm of external sheathing, and 6mm of sheathing from the internal wires.

LS VERSION MOUNTING DETAILS



ATTENTION

- The luminaire can be installed close to flammable surfaces.
 - Luminaires for Metal Halide lamps must be always complete with its protective screen.
 - For luminaires with Metal Halide lamps, damaged protective shields can only be replaced with original AEC Illuminazione's replacement shields.
 - On luminaires for Metal Halide lamps use only UV Stop protected lamps.
 - This luminaire has been designed and manufactured following all relevant standards. The installation must be done by experienced personnel and following the instructions.
 - The present instruction paper has to be kept for any future maintenance operation on the luminaire.
- Non compliance with the above will automatically release AEC Illuminazione Srl from any responsibility.