

GALILEO 2 2.0

MAIN CHARACTERISTICS

Applications	Flood lighting, large areas and street lighting.
Optic	ASP / ASC: Multi-focal asymmetric optic with adjustable emission. Colour temperature: 4000K (3000K, 5700K optional), CRI ≥ 70 Photobiological safety class: EXEMPT GROUP LED source efficiency: 131 lm/W @ 1050mA, Tj=85°C, 4000K
Insulation class	I
Protection degree	IP66 IK08
LED Modules	Removable / Replaceable optical unit
Tilt Angle	See dimensional drawings section
Dimensions	
Weight	16 kg without fixing flanges
Exposed surface	Side: 0.1m ² - Top: 0.2m ²
Mounting	Mounting with adjustable integrated flange (See available flanges section)
Gear tray	External power supply IP67 directly mounted on luminaire body
Operating temp.	-40°C / +50°C (900mA) -40°C / +35°C (1050mA)
Storage temp.	-40°C / +80°C
Main reference standards	EN 60598-1, EN 60598-2-3, EN 60598-2-5, EN 62471, EN 55015, EN 61547, EN 61000-3-2, EN 61000-3-3

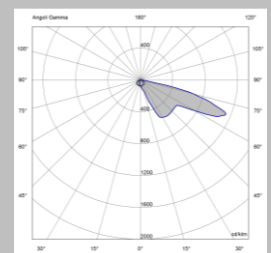


ELECTRICAL CHARACTERISTICS

Rated voltage	220÷240V 50/60Hz <i>(Standard tolerance +/-10%, other voltages and tolerances upon request)</i>
LED current	900mA 1050mA
Power factor	>0,9 (at full load)
Mains connection	Cable H07RN-F 450/750V with quick release connector M/F IP66/68 for cables 3 x 1.5mm ² , Dmax=12mm Optional: Cable FG7-OR 0.6/1kV
Control system	F: Fixed power (base version) DALI: Digital interface. PLM: Single point communication module.
Surge protection	Integrated SPD, 10kV-10kA. Pulse withstand ≥10kV CM/DM
Optical unit lifetime (Tq=25°C)	>100.000hr L80B10, 1050mA (including critical failures)

MATERIALS

Fixing	Galvanized and painted steel
Heat-sink	Die-cast aluminium UNI EN1706 with low copper content. Powder painted.
Body	
Gear tray body	
Optic	99.85% aluminium with a surface finish in 99.95% with vacuum-sealed deposition. Alluminum grade class A+ (DIN EN 16268)
Screen	Flat tempered glass, 4mm thickness.
Cable gland	Metallic, M20x1,5 – IP68
Gasket	Polyurethane
Colour	Graphite cod. 01



ASP-7W Optic

All the published photometrical data has been obtained according to EN 13032-1





Product sheet



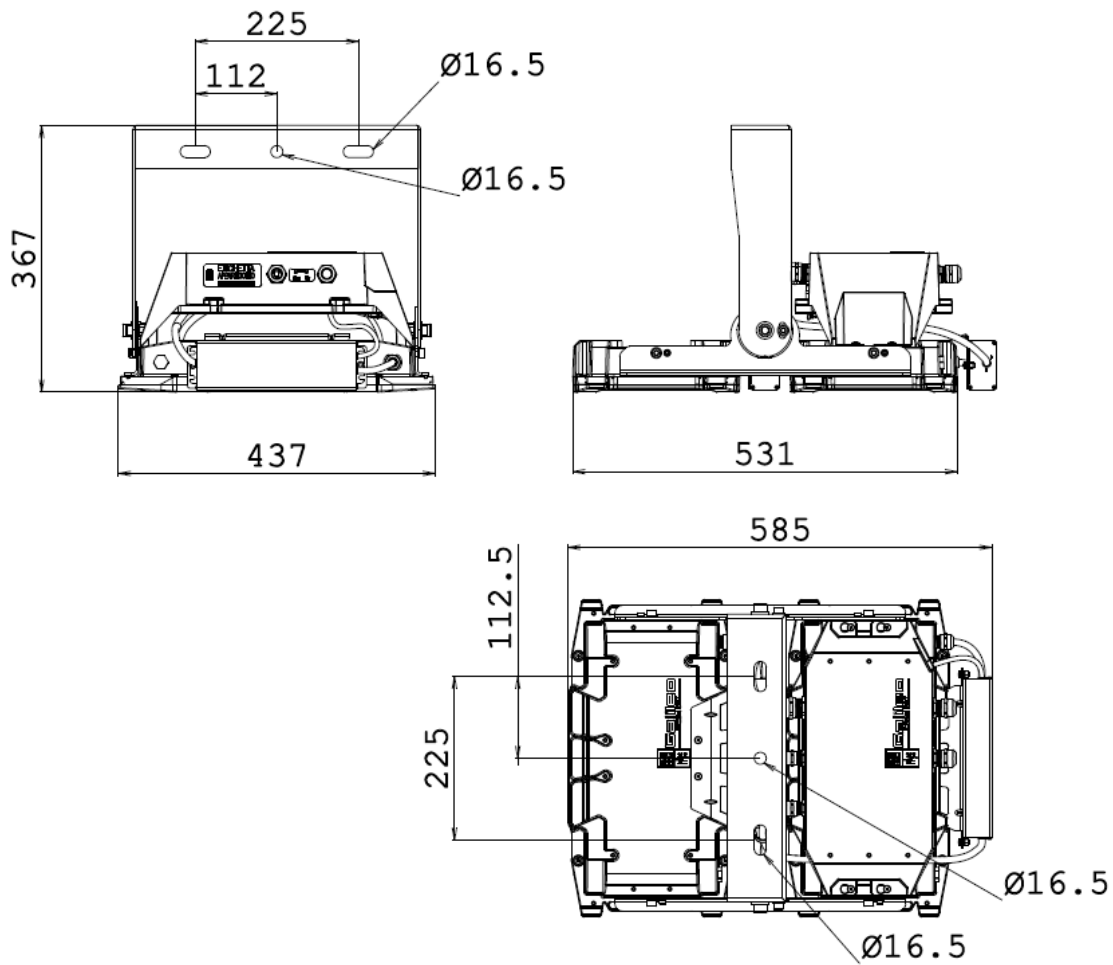
LUMINAIRE	OPTIC	LED Current (mA)	RATED LUMINAIRE FLUX ¹ (Tq=25°C, 4000K, lm)	RATED LUMINAIRE POWER ¹ (Tq=25°C, Vin=230Vac, F / DA / DAC, W)	LUMINAIRE EFFICACY (Tq=25°C, lm/W)	RATED LED FLUX ² (Tj=85°C, 4000K, lm)	RATED LED POWER ² (Tj=85°C, W)
Galileo 2 2.0 006 4.9-4M	ASC-4W	900	30470	275	111	33199	247
Galileo 2 2.0 006 4.9-5M			37950	340	112	41499	309
Galileo 2 2.0 006 4.9-6M			44900	412	109	49799	371
Galileo 2 2.0 006 4.105-4M	ASC-4W	1050	33030	320	103	38160	292
Galileo 2 2.0 006 4.105-5M			41050	396	104	47700	365
Galileo 2 2.0 006 4.105-6M			48120	478	101	57240	438
Galileo 2 2.0 006 4.9-4M	ASC-5W	900	30300	275	110	33199	247
Galileo 2 2.0 006 4.9-5M			37740	340	111	41499	309
Galileo 2 2.0 006 4.9-6M			44640	412	108	49799	371
Galileo 2 2.0 006 4.105-4M	ASC-5W	1050	32850	320	103	38160	292
Galileo 2 2.0 006 4.105-5M			40820	396	103	47700	365
Galileo 2 2.0 006 4.105-6M			47860	478	100	57240	438
Galileo 2 2.0 006 4.9-4M	ASC-6W	900	29970	275	109	33199	247
Galileo 2 2.0 006 4.9-5M			37330	340	110	41499	309
Galileo 2 2.0 006 4.9-6M			44160	412	107	49799	371
Galileo 2 2.0 006 4.105-4M	ASC-6W	1050	32490	320	102	38160	292
Galileo 2 2.0 006 4.105-5M			40380	396	102	47700	365
Galileo 2 2.0 006 4.105-6M			47340	478	99	57240	438
Galileo 2 2.0 006 4.9-4M	ASC-7W	900	29470	275	107	33199	247
Galileo 2 2.0 006 4.9-5M			36700	340	108	41499	309
Galileo 2 2.0 006 4.9-6M			43420	412	105	49799	371
Galileo 2 2.0 006 4.105-4M	ASC-7W	1050	31940	320	100	38160	292
Galileo 2 2.0 006 4.105-5M			39700	396	100	47700	365
Galileo 2 2.0 006 4.105-6M			46540	478	97	57240	438
Galileo 2 2.0 006 4.9-4M	ASP-4W	900	29800	275	108	33199	247
Galileo 2 2.0 006 4.9-5M			37110	340	109	41499	309
Galileo 2 2.0 006 4.9-6M			43900	412	107	49799	371
Galileo 2 2.0 006 4.105-4M	ASP-4W	1050	32310	320	101	38160	292
Galileo 2 2.0 006 4.105-5M			40150	396	101	47700	365
Galileo 2 2.0 006 4.105-6M			47080	478	98	57240	438
Galileo 2 2.0 006 4.9-4M	ASP-5W	900	29630	275	108	33199	247
Galileo 2 2.0 006 4.9-5M			36910	340	109	41499	309
Galileo 2 2.0 006 4.9-6M			43660	412	106	49799	371
Galileo 2 2.0 006 4.105-4M	ASP-5W	1050	32120	320	100	38160	292
Galileo 2 2.0 006 4.105-5M			39920	396	101	47700	365
Galileo 2 2.0 006 4.105-6M			46800	478	98	57240	438
Galileo 2 2.0 006 4.9-4M	ASP-6W	900	29130	275	106	33199	247
Galileo 2 2.0 006 4.9-5M			36280	340	107	41499	309
Galileo 2 2.0 006 4.9-6M			42920	412	104	49799	371
Galileo 2 2.0 006 4.105-4M	ASP-6W	1050	31580	320	99	38160	292
Galileo 2 2.0 006 4.105-5M			39250	396	99	47700	365
Galileo 2 2.0 006 4.105-6M			46020	478	96	57240	438
Galileo 2 2.0 006 4.9-4M	ASP-7W	900	28460	275	103	33199	247
Galileo 2 2.0 006 4.9-5M			35450	340	104	41499	309
Galileo 2 2.0 006 4.9-6M			41940	412	102	49799	371
Galileo 2 2.0 006 4.105-4M	ASP-7W	1050	30850	320	96	38160	292
Galileo 2 2.0 006 4.105-5M			38350	396	97	47700	365
Galileo 2 2.0 006 4.105-6M			44960	478	94	57240	438
Galileo 2 2.0 006 4.9-4M	ASP-4N	900	29800	275	108	33199	247
Galileo 2 2.0 006 4.9-5M			37110	340	109	41499	309
Galileo 2 2.0 006 4.9-6M			43900	412	107	49799	371
Galileo 2 2.0 006 4.105-4M	ASP-4N	1050	32310	320	101	38160	292
Galileo 2 2.0 006 4.105-5M			40150	396	101	47700	365
Galileo 2 2.0 006 4.105-6M			47080	478	98	57240	438
Galileo 2 2.0 006 4.9-4M	ASP-5N	900	28460	275	103	33199	247
Galileo 2 2.0 006 4.9-5M			35450	340	104	41499	309
Galileo 2 2.0 006 4.9-6M			41940	412	102	49799	371
Galileo 2 2.0 006 4.105-4M	ASP-5N	1050	30850	320	96	38160	292
Galileo 2 2.0 006 4.105-5M			38350	396	97	47700	365
Galileo 2 2.0 006 4.105-6M			44960	478	94	57240	438
Galileo 2 2.0 006 4.9-4M	ASP-6N	900	27960	275	102	33199	247
Galileo 2 2.0 006 4.9-5M			34830	340	102	41499	309
Galileo 2 2.0 006 4.9-6M			41200	412	100	49799	371
Galileo 2 2.0 006 4.105-4M	ASP-6N	1050	30310	320	95	38160	292
Galileo 2 2.0 006 4.105-5M			37670	396	95	47700	365
Galileo 2 2.0 006 4.105-6M			44160	478	92	57240	438
Galileo 2 2.0 006 4.9-4M	ASP-7N	900	27120	275	99	33199	247
Galileo 2 2.0 006 4.9-5M			33780	340	99	41499	309
Galileo 2 2.0 006 4.9-6M			39960	412	97	49799	371
Galileo 2 2.0 006 4.105-4M	ASP-7N	1050	29400	320	92	38160	292
Galileo 2 2.0 006 4.105-5M			36540	396	92	47700	365
Galileo 2 2.0 006 4.105-6M			42840	478	90	57240	438

The tables above describe the flux and output power of the available versions. These parameters are necessary in order to guarantee a correct comparison of the luminaire performance.
 In particular, the luminaire efficiency (expressed in lm/W) must be calculated as the ratio between the output luminous flux of the luminaire and the power absorbed by the input power supply unit.
 For the sake of completeness the tables also show the data of the nominal flux and power of the used LED.

The characteristics of the product listed above are subjected to change. They will have to be confirmed in case of order.
 Values indicated in this technical sheet are to be considered rated values subject to a tolerance of +/-5%.
 Data listed above are subject to change without notice.

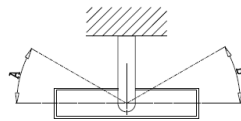
Note: 1:Rated data obtained in laboratory | 2:Rated data extrapolated from LED manufacturer datasheet.

GALILEO 2 DIMENSIONAL DRAWINGS



AVAILABLE FIXING FLANGES

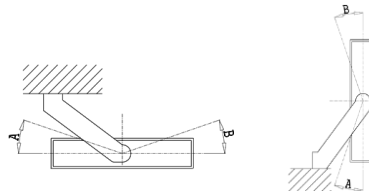
BRACKET C – STANDARD



A = 15°
B = 15°

2.3 kg

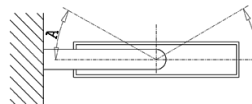
BRACKET D – OPTIONAL



A = 25°
B = 25°

5.3 kg

BRACKET E – OPTIONAL



A = 5°
B = 15°

3.4 kg