

## iBox Smart

### MAIN CHARACTERISTICS

<b>Applications</b>	Street lighting.	
<b>Optic</b>	STU-M/S: Asymmetrical optic for street lighting (urban). STW: Asymmetrical optic for wide roads and wet asphalts lighting. STE-M/S: Asymmetrical optic for street lighting (suburban). SV: Asymmetrical optic for narrow urban streets or highway entrance/exit turns. S05: Asymmetrical optic for urban and street lighting. S: Roto-symmetrical optic for parking and urban areas. TS: Asymmetrical optic for parking and urban areas. Colour temperature: 4000K (optional 3000K)   CRI ≥ 70 (optional CRI 80) Photobiological safety class: EXEMPT GROUP LED source efficiency: 168 lm/W @ 525mA, Tj=85°C – 4000K	
<b>Insulation class</b>	II, I	
<b>Protection degree</b>	Optical unit: IP66 Gear tray: IP20 (can be installed on devices with IP ≥ 55)	
<b>Impact protection</b>	IK08 (Optical unit)	
<b>Dimensions</b>	<i>See the drawing</i>	
<b>Weight</b>	1 - 2 LED Modules: max 1,8 kg	3 - 4 LED Modules: max 3 kg
<b>Mounting</b>	Prepared for mounting on plate	
<b>Gear tray</b>	Removable	
<b>Operating temp.</b>	-40°C / +35°C	
<b>Storage temperature</b>	-40°C / +80°C	
<b>Main reference standards</b>	EN 62031, EN 62778, EN 62717, EN 61347-1, EN 61374-2-13, EN 62384, EN 61547	

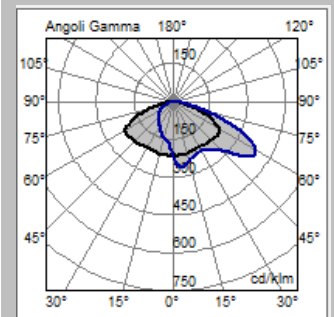


### ELECTRICAL CHARACTERISTICS

<b>Rated voltage</b>	220÷240V 50/60Hz	
<b>LED current</b>	525mA, 700mA	
<b>Power factor</b>	>0,9 (a pieno carico)	
<b>Mains connection</b>	Connectors for cables max sections 2,5mm <sup>2</sup>	
<b>Surge protection</b>	SPD integrated 10kV-10kA, type II, with LED signal and thermo fuse to disconnect load at the end of life. Pulse withstand: 10kV / 10kV CM/DM	
<b>Control system (options)</b>	WL: Wireless single point communication system. DALI: Digital dimming interface DALI.	
<b>Optical unit lifetime (Tq=25°C)</b>	≥100.000hr L90B10 ≥100.000hr L90, TM-21	

### MATERIALS

<b>Optical unit</b>	Die-cast aluminum UNI EN1706 powder painted.	
<b>Optic</b>	99.85% aluminum with a surface finish in 99.95% with vacuum-sealed deposition. Aluminum grade class A+ (DIN EN 16268)	
<b>Screen</b>	Flat tempered glass, 4mm thickness PCG.	
<b>Colour</b>	Graphite. Cod. 01	



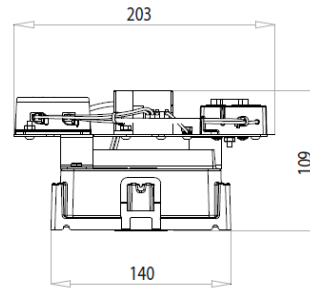
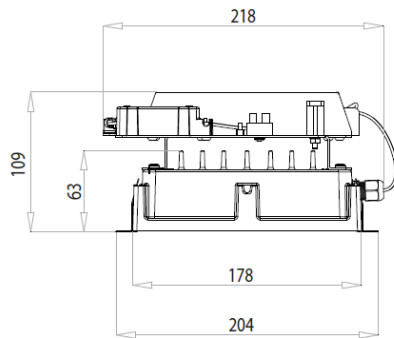
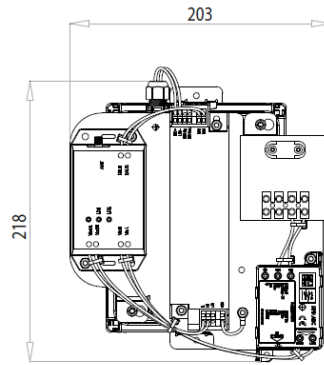
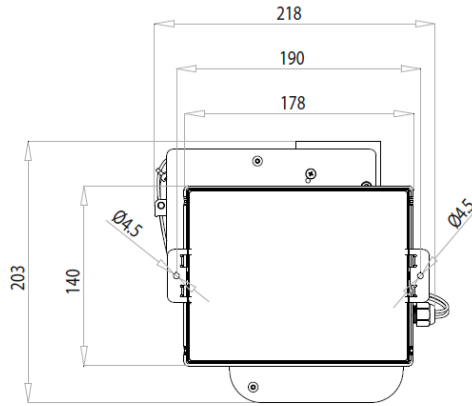
S05 Optic

All the published photometrical data has been obtained according to EN 13032-1

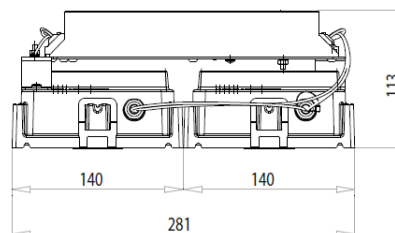
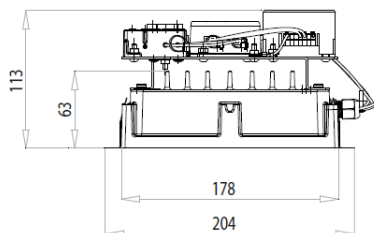
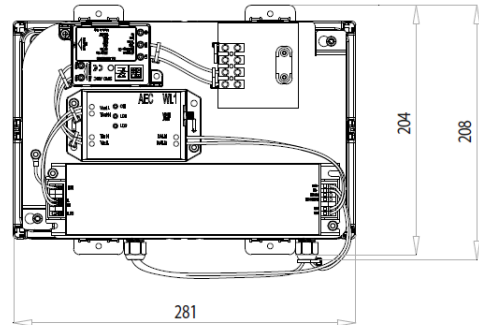
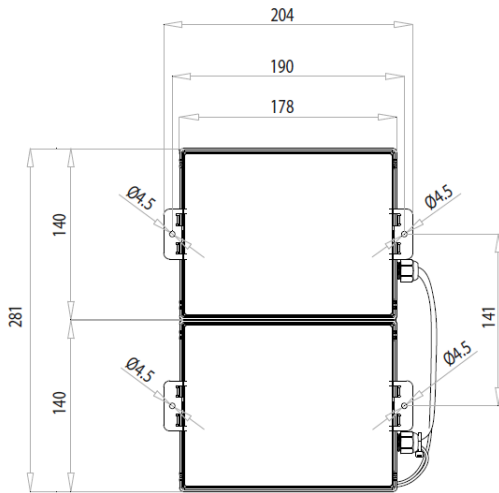


# DIMENSIONAL DRAWINGS

## 1 – 2 LED MODULES



## 3 – 4 LED MODULES



LUMINAIRE	OPTIC	LED CURRENT (mA)	RATED LUMINAIRE FLUX* (Tq=25°C, 4000K, lm)	RATED LUMINAIRE POWER* (Tq=25°C, Vin=230Vac, F/DA/DAC, W)	LUMINAIRE EFFICACY (Tq=25°C, lm/W)	RATED LED FLUX* (Tj=85°C, 4000K, lm)	RATED LED POWER* (Tj=85°C, W)
iBox SMART 0F2H1 4.5-1M PCG	S05 STU-M STU-S SV TS	525	1700	16	106	2184	13
iBox SMART 0F2H1 4.5-2M PCG			3330	30.5	109	4368	26
iBox SMART 0F2H1 4.5-3M PCG			4990	44	113	6552	39
iBox SMART 0F2H1 4.5-4M PCG			6450	57	113	8736	52
iBox SMART 0F2H1 4.7-1M PCG	S05 STU-M STU-S SV TS	700	2190	21.5	101	2765	18
iBox SMART 0F2H1 4.7-2M PCG			4260	40	106	5530	36
iBox SMART 0F2H1 4.7-3M PCG			6350	58	109	8295	54
iBox SMART 0F2H1 4.7-4M PCG			8110	76	106	11060	72
iBox SMART 0F3 4.5-1M PCG	S05 STE-M STE-S STW	525	2360	21.5	109	2950	17
iBox SMART 0F3 4.5-2M PCG			4660	39	119	5900	34
iBox SMART 0F3 4.5-3M PCG			6760	57	118	8850	51
iBox SMART 0F3 4.5-4M PCG			8980	76	118	11800	68



LUMINAIRE	OPTIC	LED CURRENT (mA)	RATED LUMINAIRE FLUX* (Tq=25°C, 4000K, lm)	RATED LUMINAIRE POWER* (Tq=25°C, Vin=230Vac, F/DA/DAC, W)	LUMINAIRE EFFICACY (Tq=25°C, lm/W)	RATED LED FLUX* (Tj=85°C, 4000K, lm)	RATED LED POWER* (Tj=85°C, W)
iBox SMART 0F3 4.7-1M PCG	S05 STE-M STE-S STW	700	2950	28	105	3735	24
iBox SMART 0F3 4.7-2M PCG			5890	52	113	7470	48
iBox SMART 0F3 4.7-3M PCG			8500	76	111	11205	72
iBox SMART 0F2H1 4.5-2M PCG	S	525	3330	30.5	109	4368	26
iBox SMART 0F2H1 4.5-4M PCG			6450	57	113	8736	52
iBox SMART 0F2H1 4.7-2M PCG	S	700	4260	40	106	5530	36
iBox SMART 0F2H1 4.7-4M PCG			8110	76	106	11060	72

\*RATED LUMINAIRE FLUX / RATED LUMINAIRE POWER: Rated data obtained in laboratory.

\*RATED LED FLUX / RATED LED POWER: Rated data extrapolated from LED manufacturer datasheet.

The characteristics of the product listed above are subjected to change without notice.

Values indicated in this technical sheet are to be considered rated values subject to a tolerance of +/-5%.

LUMINAIRE	OPTIC	LED CURRENT (mA)	RATED LUMINAIRE FLUX* (Tq=25°C, 3000K, lm)	RATED LUMINAIRE POWER* (Tq=25°C, Vin=230Vac, F/DA/DAC, W)	LUMINAIRE EFFICACY (Tq=25°C, lm/W)	RATED LED FLUX* (Tj=85°C, 3000K, lm)	RATED LED POWER* (Tj=85°C, W)
iBox SMART 0F2H1 3.5-1M PCG	S05 STU-M STU-S SV TS	525	1580	16	99	2031	13
iBox SMART 0F2H1 3.5-2M PCG			3100	30.5	102	4062	26
iBox SMART 0F2H1 3.5-3M PCG			4640	44	105	6093	39
iBox SMART 0F2H1 3.5-4M PCG			6000	57	105	8124	52
iBox SMART 0F2H1 3.7-1M PCG	S05 STU-M STU-S SV TS	700	2040	21.5	95	2571	18
iBox SMART 0F2H1 3.7-2M PCG			3960	40	99	5143	36
iBox SMART 0F2H1 3.7-3M PCG			5910	58	102	7714	54
iBox SMART 0F2H1 3.7-4M PCG			7540	76	99	10286	72
iBox SMART 0F3 3.5-1M PCG	S05 STE-M STE-S STW	525	2190	21.5	102	2744	17
iBox SMART 0F3 3.5-2M PCG			4330	39	111	5487	34
iBox SMART 0F3 3.5-3M PCG			6290	57	110	8231	51
iBox SMART 0F3 3.5-4M PCG			8350	76	110	10974	68



LUMINAIRE	OPTIC	LED CURRENT (mA)	RATED LUMINAIRE FLUX* (Tq=25°C, 3000K, lm)	RATED LUMINAIRE POWER* (Tq=25°C, Vin=230Vac, F/DA/DAC, W)	LUMINAIRE EFFICACY (Tq=25°C, lm/W)	RATED LED FLUX* (Tj=85°C, 3000K, lm)	RATED LED POWER* (Tj=85°C, W)
iBox SMART 0F3 3.7-1M PCG	S05 STE-M STE-S STW	700	2740	28	98	3474	24
iBox SMART 0F3 3.7-2M PCG			5480	52	105	6947	48
iBox SMART 0F3 3.7-3M PCG			7910	76	104	10421	72
iBox SMART 0F2H1 3.5-2M PCG	S	525	3100	30.5	102	4062	26
iBox SMART 0F2H1 3.5-4M PCG			6000	57	105	8124	52
iBox SMART 0F2H1 3.7-2M PCG	S	700	3960	40	99	5143	36
iBox SMART 0F2H1 3.7-4M PCG			7540	76	99	10286	72

\*RATED LUMINAIRE FLUX / RATED LUMINAIRE POWER: Rated data obtained in laboratory.

\*RATED LED FLUX / RATED LED POWER: Rated data extrapolated from LED manufacturer datasheet.

The characteristics of the product listed above are subjected to change without notice.

Values indicated in this technical sheet are to be considered rated values subject to a tolerance of +/-5%.