

MOUNTING AND MAINTENANCE INSTRUCTION

Post-top or bracket mounting

ITALO 2 is equipped with an universal attachment (post-top or bracket mounting) according to the ordered version:

- Attachment Ø33-60mm.
- Attachment Ø60-76mm.

Place correctly the attachment as indicated in Pic. 5A (Post-top) or in Pic. 5B (Bracket).

Fix the attachment to the luminaire with the two M8 screws as indicated in Pic. 2.

Possible to tilt:

- Post-top mounting: 0°, +5°, +10°, +15°, +20°
- Bracket mounting: 0°, -5°, -10°, -15°, -20°

Use the proper sign as indicated in Pic. 3A and 3B.

The regulation of the luminaire can be done loosing the two screws (Pic. 2).

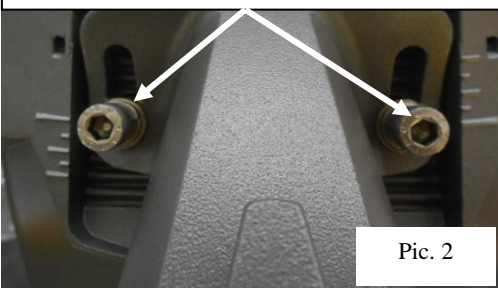
Fix the attachment to the post-top or to the bracket as indicated in Pic. 4.

To avoid any possible unscrewing of grub screws, two M8 nuts have to be tightened on the grub screws as indicate in Pic. 4.

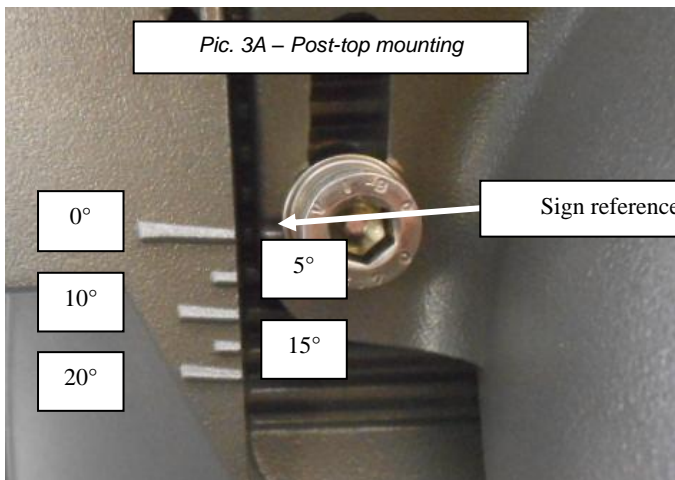


Pic. 1

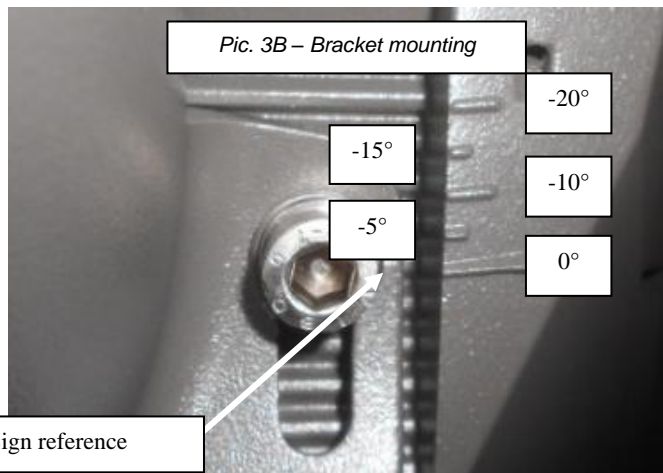
M8 screws + split washer and plain washer
Set screw wrench: 6mm
Twisting moment: 10Nm



Pic. 2



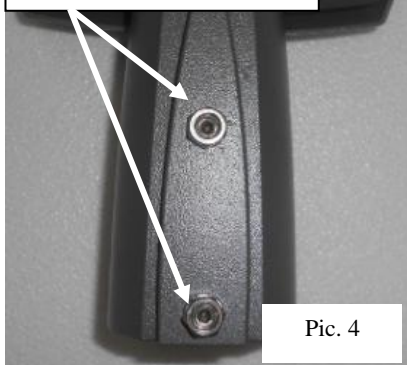
Pic. 3A – Post-top mounting



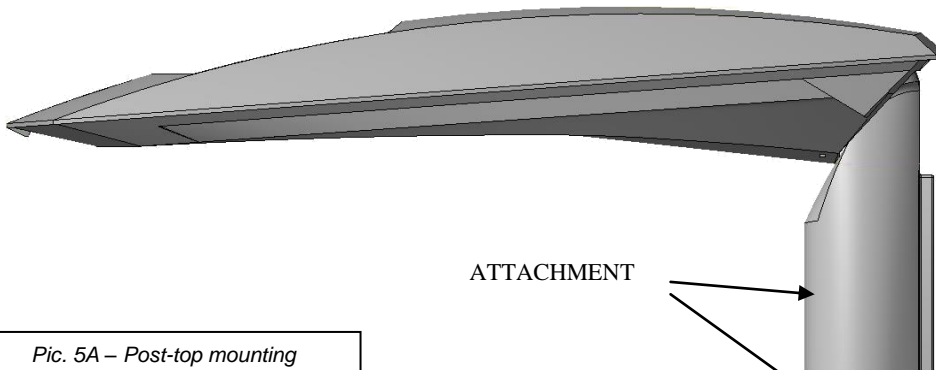
Pic. 3B – Bracket mounting

M8 Grub screws
Set screw wrench: 4mm
Twisting moment: 8Nm

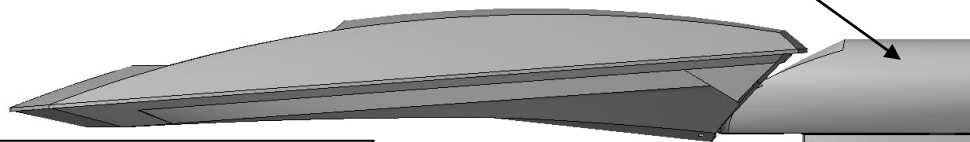
M8 nuts
Adjustable wrench: 13mm
Twisting moment: 8Nm



Pic. 4



Pic. 5A – Post-top mounting



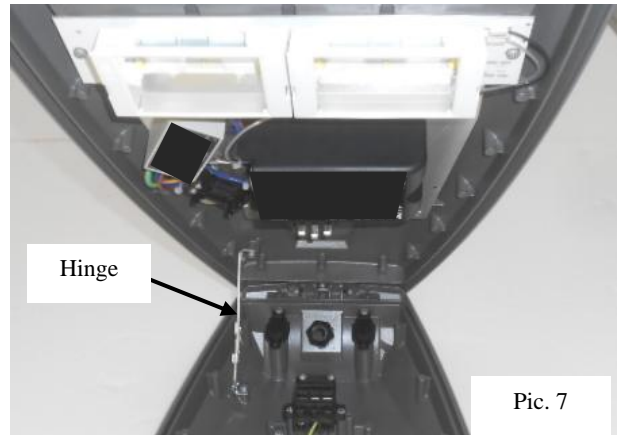
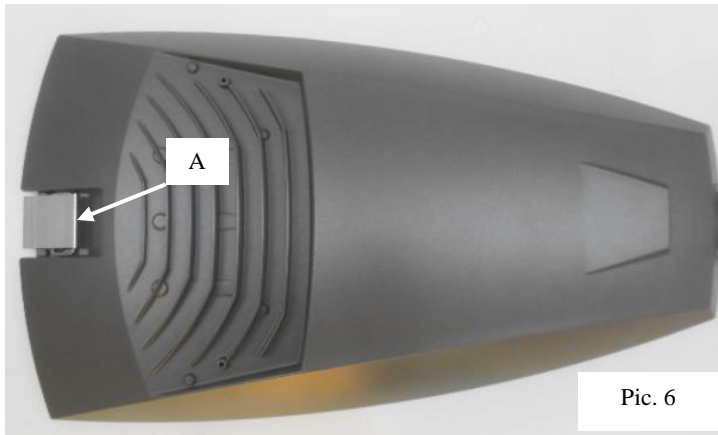
Pic. 5B – Bracket mounting

Electrical line connection

To gain access to the electrical line, unlock the closing hook (A – Pic. 6) and lift the upper frame up to the action of the hinge (Pic. 7)

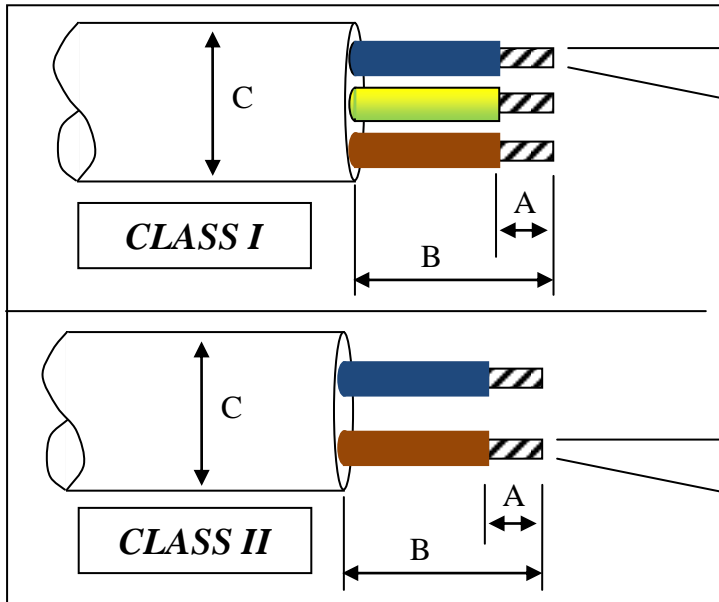
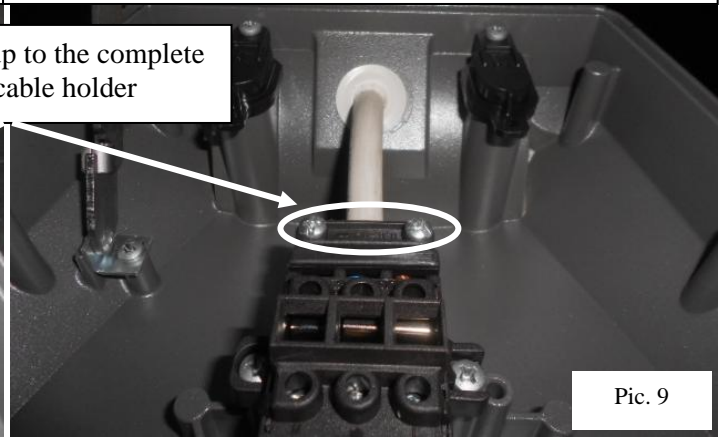
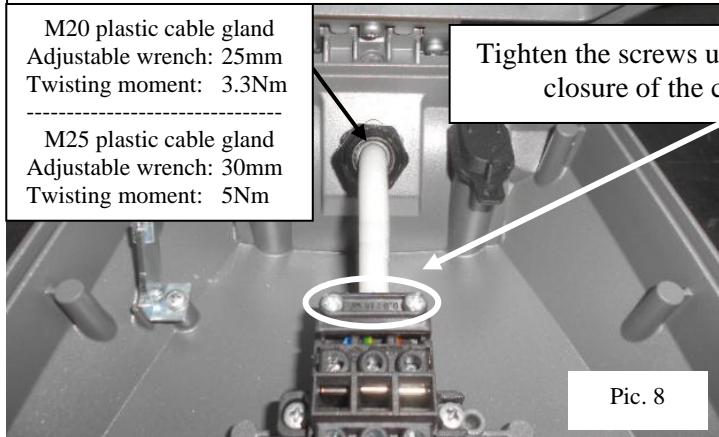
- **Luminaire with cable gland:** follow the directions in Pic. 8. Is strictly necessary tight the external sheet of the mains cable to the cable holder of the on-load switch.
- **Luminaire with membrane:** follow the directions in Pic. 9. Is strictly necessary tight the external sheet of the mains cable to the cable holder of the on-load switch.

In case the luminaire is equipped with PLM device, before close the luminaire, annotate the serial number of the device.



CABLE GLAND

MEMBRANE



	Cable gland	Membrane
A	6 ÷ 7 mm	6 ÷ 7 mm
B	< 25mm	< 25mm
C	M20: 8 ÷ 13mm M25: 10 ÷ 14mm	8 ÷ 13mm
D	≤ 2.5mmq	≤ 2.5mmq

Luminaire closure

To close the luminaire, follow the directive from Pic. 10 to Pic. 12.



Fig. 10

Initial position

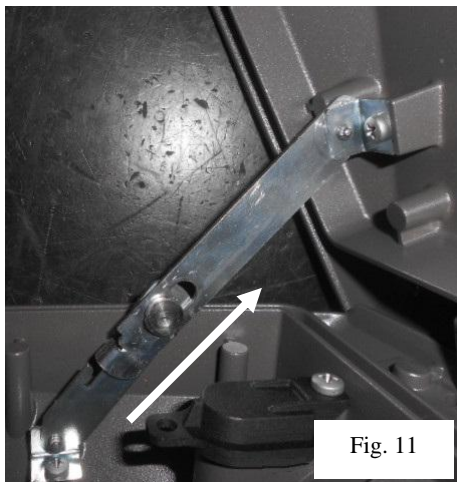


Fig. 11

Lift the upper frame

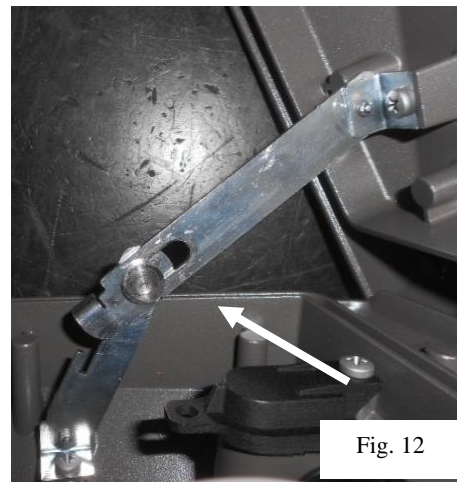


Fig. 12

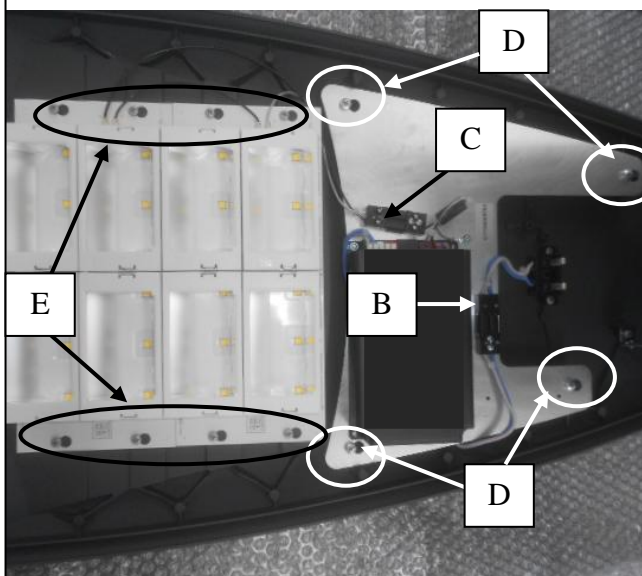
Unlock the hinge and move down the upper frame

LED module extraction

- 1) Disconnect the LED connector (C);
- 2) Loosen the screws (E);
- 3) Extract the LED modules.

LED module repositioning

- 1) Replace in the original position the LED modules;
- 2) Tighten the screws (E);
- 3) Connect the LED connector (C).



Gear tray extraction

- 1) Disconnect the mains connector (B);
- 2) Disconnect the LED connector (C);
- 3) Loosen the screws (D);
- 4) Extract the gear tray.

Gear tray repositioning

- 1) Replace in the original position the gear tray;
- 2) Tighten the 2 screws (D);
- 3) Connect the LED connector (C);
- 4) Connect the mains connector (B).

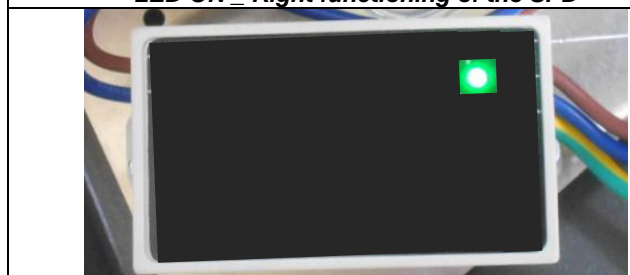
SPD MAINTENANCE

The protection device is equipped with system that excludes power supply at the end of life of the luminaire.

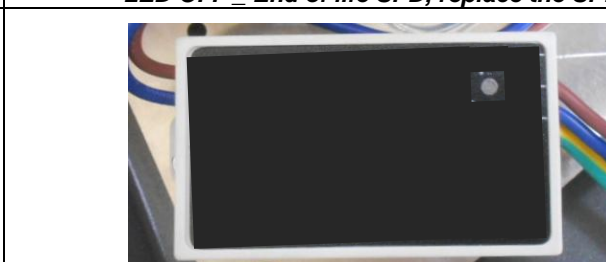
If the luminaires switches-off when the system is still fed, the activity of the protection device should be checked looking at signaling LED.

To check this, use the appropriate tool asked to AEC Illuminazione.

LED ON _ Right functioning of the SPD



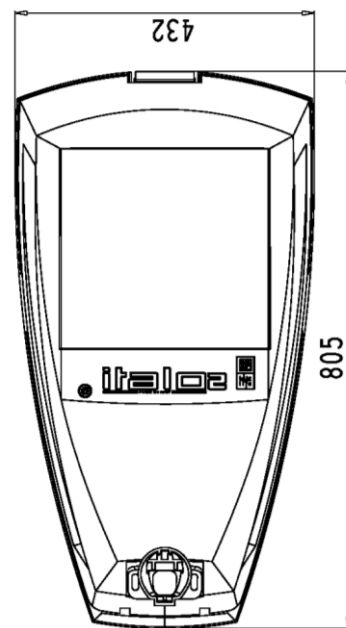
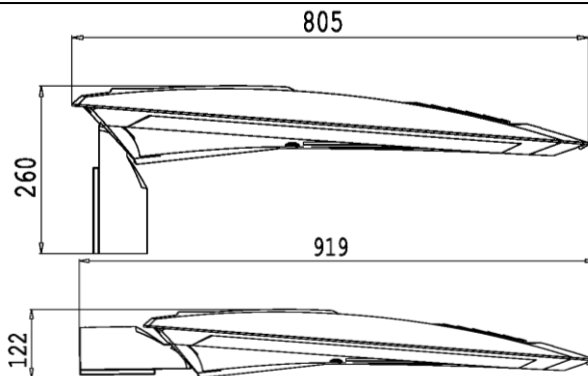
LED OFF _ End of life SPD, replace the SPD





ITALO 2 luminaire is classified under "EXEMPT GROUP" according to photobiological safety standard IEC/EN 62471.

NO RISK for the operators and end users.



Side area:	0.08m ²
Base area:	0.30m ²
Form factor:	1.2
Max height of installation:	15m
Ta	35°C
Use	Indoor / Outdoor
ITALO 2 1M – 2M	10.9kg ÷ 11.2kg
ITALO 2 3M – 5M	11.3kg ÷ 11.6kg
ITALO 2 6M – 8M	11.8kg ÷ 12kg



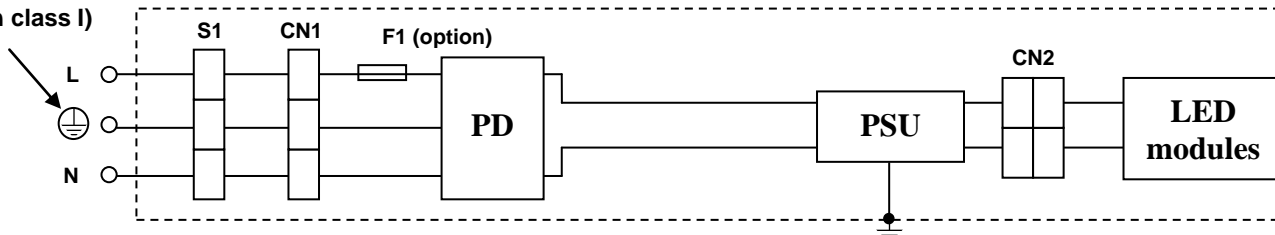
INFORMATION TO THE CUSTOMERS

Directive 2002/96/EC (Waste Electrical and Electronic Equipment - WEEE): information for users.

This product complies with EU Directive 2002/95/EC. The crossed-out wastebasket symbol on the appliance means that at the end of its useful lifespan, the product must be disposed of separately from ordinary household wastes. The user is responsible for delivering the appliance to an appropriate collection facility at the end of its useful lifespan. Appropriate separate collection to permit recycling, treatment and environmentally compatible disposal helps prevent negative impact on the environment and human health and promotes recycling of the materials making up the product. For more information on available collection facilities, contact your local waste collection service.

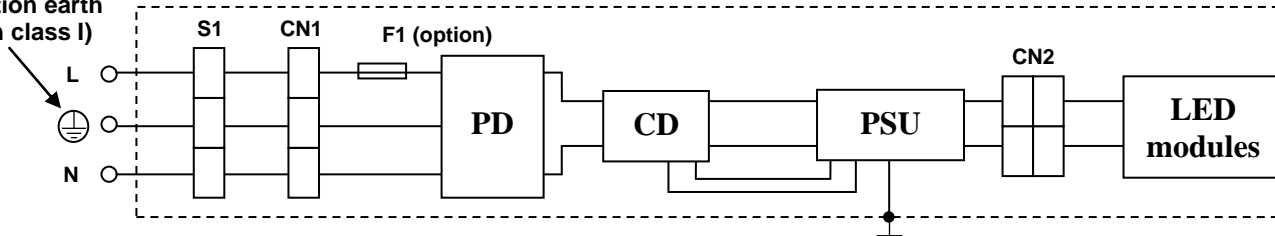
Protection earth (only in class I)

WIRING SCHEME



Protection earth (only in class I)

PLM WIRING SCHEME



F	Fuse 250Vac 10A (provide the fuse externally if not present into the luminaire)	PD	Protection device
CN	Connector	PSU	Power Supply
S	On-load switch	CD	Control device

NOTE

- The luminaire can be installed close to flammable surfaces.
- Class II luminaires must be installed in such a way that it is impossible for any exposed metal part to come in contact with electrical components.
- The device has developed in compliance with the current standards; it is necessary that the installation is done properly, according with the instructions supplied.
- The present instruction paper has to be kept for any future maintenance operation on the luminaire. Non compliance with the above will automatically release AEC Illuminazione Srl from any responsibility.

