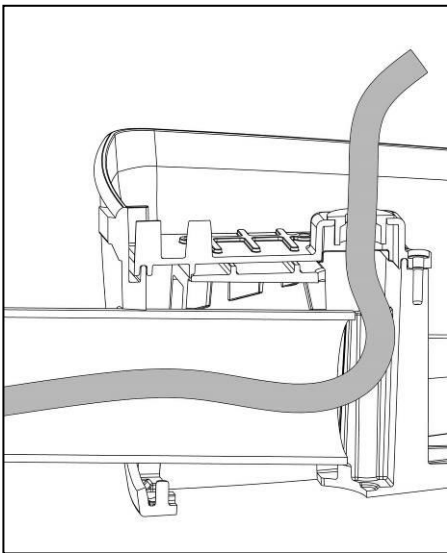




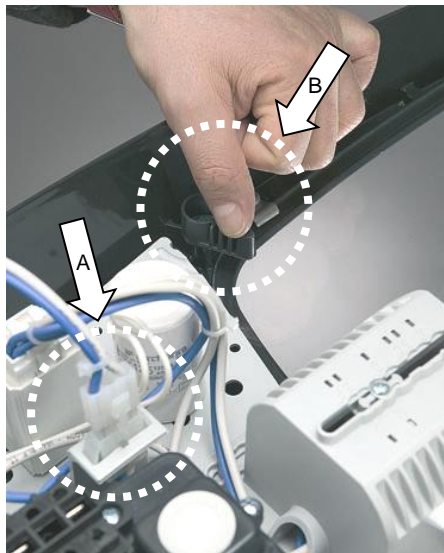
Pic. 1



Pic. 2



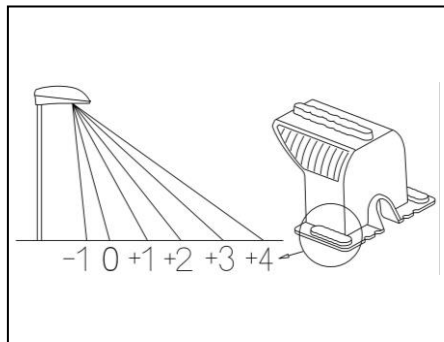
Pic. 3



Pic. 4



Pic. 5



Pic. 6

MOUNTING AND MAINTENANCE

Pole head and spigot mounting bracket.

To mount the luminaire, turn properly the aluminium shutter fixed on the frame.

The pole head connection system is suitable for pole d.60mm or d.76mm and bracket d.42mm or d.60mm: the system allow to install bracket parallel to the ground or with an inclination of 5°, 10°, 15°.

The luminaire must be fixed to the pole by the stainless steel 12MA grub screw inserted in the aluminium shutter: the grub screw must be tightened by a set screw wrench 6mm applying a twisting moment of 20Nm.

To avoid the grub screw loosen, we supplied a further stainless steel 12MA nut to be clamped on the grub screw with an adjustable wrench of 19mm and applying a twisting moment of 20Nm.

To gain access to electrical parts, push the secure button which is in the middle of the stainless steel closing hook, than lift it and open the cover [Pic. 1-2]. The cover must be blocked in vertical position by the central hinge.

To connect the luminaire to the electrical line, punch the press cable membrane directly with the cable [Pic. 3].

The feeding of the fitting have to be done with a bipolar cable with nominal diameter between 7 and 13 mm.

When it is necessary, you can take away the gear disconnecting it (A) and turning the knobs (B) [see Pic. 4].

To reinsert the gear plate, put it in the right position than turn the knobs till the end and reinsert the connector.

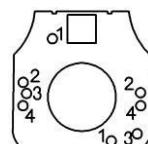
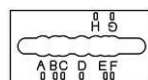
To close the luminaire, draw the blocking spring [Pic. 5].

The optic of the luminaire has been projected to function without incline the fitting.


The lamp holder block can be placed in 6 different positions in order to adapt the photometrical solid to the road width [Pic. 6].

Lamp positions

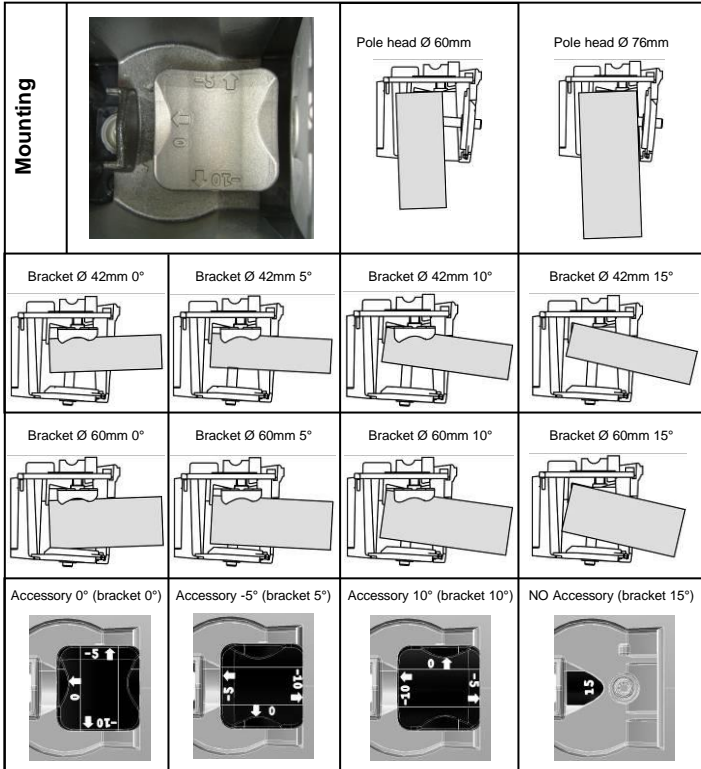
KAOS				KAOS			
LAMP	POS	LAMP	POS	LAMP	POS	LAMP	POS
70W SHP-E	A4	70W MHL-E	A3	100W SHP-E	B1	100W MHL-T	C4
70W SHP-T	B3	70W MHL-T	B3	100W SHP-T	C4	150W MHL-T	C4
100W SHP-E	F4	100W MHL-E	A3	150W SHP-E	D1	250W MHL-E	D1
100W SHP-T	H3	100W MHL-T	H3	150W SHP-T	C4	250W MHL-T	D4
150W SHP-E	G2	150W MHL-E	A3	250W SHP-E	D1	400W MHL-T	G4
150W SHP-T	H3	150W MHL-T	H3	250W SHP-T	E4	250W MBF	D1
80W MBF	A4	125W MBF	C4	400W SHP-T	G4		



INFORMATION TO THE CUSTOMERS

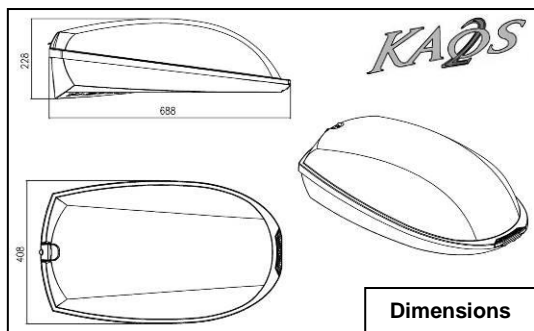
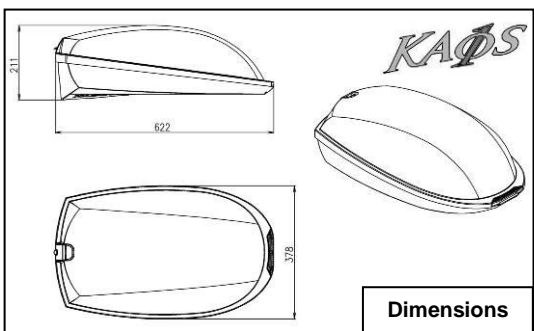
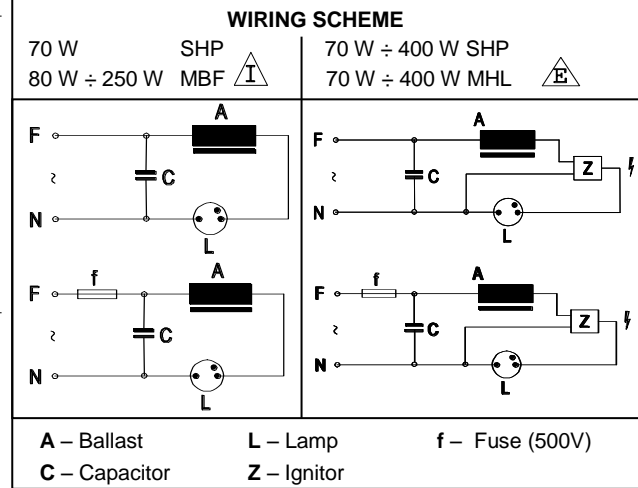
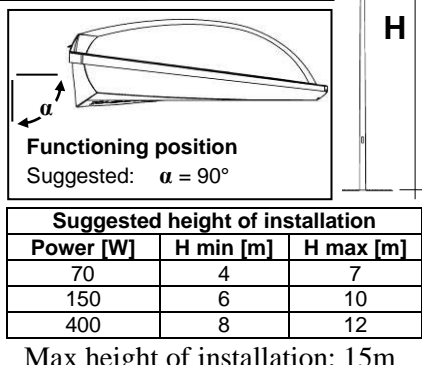
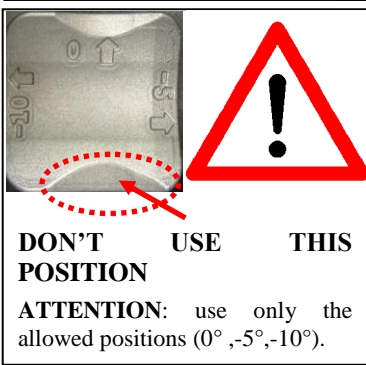
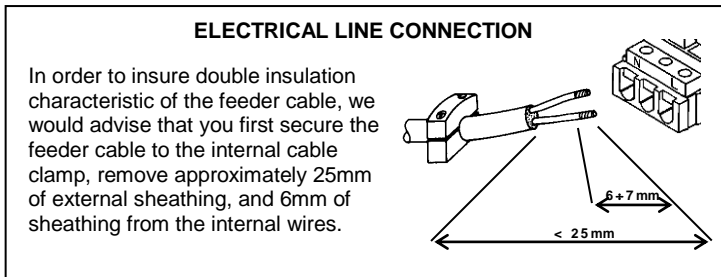
 **Directive 2002/96/EC (Waste Electrical and Electronic Equipment - WEEE): information for users.**

This product complies with EU Directive 2002/95/EC. The crossed-out wastebasket symbol on the appliance means that at the end of its useful lifespan, the product must be disposed of separately from ordinary household wastes. The user is responsible for delivering the appliance to an appropriate collection facility at the end of its useful lifespan. Appropriate separate collection to permit recycling, treatment and environmentally compatible disposal helps prevent negative impact on the environment and human health and promotes recycling of the materials making up the product. For more information on available collection facilities, contact your local waste collection service.



Lamp type – Weight

Model	Lamp type					Weight [gr]			
	MBF	SHP E	SHP T	MHL E	MHL T	Plastic cover		Aluminium cover	
						Empty	Wired	Empty	Wired
KAOS	80 W	70 W	70 W	70 W	70 W	5.500	6.500	7.000	8.000
	125 W	100 W	100 W	100 W	100 W		7.000		8.500
	-	150 W	150 W	150 W	150 W		7.500		9.000
KAOS	250 W	150 W	150 W	-	150 W	6.500	8.500	8.000	10.000
	-	250 W	250 W	250 W	250 W		9.500		11.000
	-	-	400 W	-	400 W		11.000		12.500



Wind catching area

KAOS 1	0,10 m ²
KAOS 2	0,12 m ²
KAOS 1	0,20 m ²
KAOS 2	0,24 m ²

Shape coefficient: 1,2

ATTENTION

- The luminaire can be installed close to flammable surfaces.
- Class II luminaires must be installed in such a way that it is impossible for any exposed metal part to come in contact with electrical components.
- Luminaires for Metal Halide lamps must be always complete with its protective screen.
- For luminaires with Metal Halide lamps, damaged protective shields can only be replaced with original AEC Illuminazione's replacement shields.
- On luminaires for Metal Halide lamps use only UV Stop protected lamps.
- This luminaire has been designed and manufactured following all relevant standards. The installation must be done by experienced personnel and following the instructions.

The present instruction paper has to be kept for any future maintenance operation on the luminaire.
 Non compliance with the above will automatically release AEC Illuminazione Srl from any responsibility.