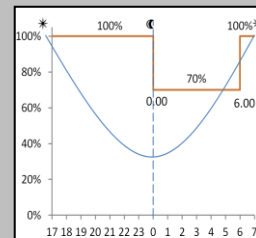
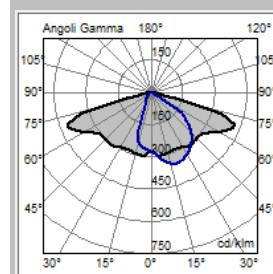


Master3

DA Profile



MASTER 3	
MAIN CHARACTERISTICS	
<b>Applications</b>	Street and urban lighting.
<b>Optic</b>	STE-M/S: Asymmetrical optic for suburban street lighting. STU-M/S: Asymmetrical optic for street, urban and cycle-path lighting. STW: Asymmetrical optic for wide urban and suburban road lighting, specific for wet asphalts. S05: Asymmetrical optic for street, urban and green areas lighting. SV: Asymmetrical optic for very narrow urban streets or highway entrance/exit turns. Colour temperature: 4000K (optional 3000K)   CRI ≥ 70 LOR= 100%, DLOR= 100%, ULOR= 0% Photobiological safety class: EXEMPT GROUP LED source efficiency: 168 lm/W @ 525mA, Tj=85°C, 4000K
<b>Insulation class</b>	II, I
<b>Protection degree</b>	IP66   IK08 total
<b>LED Modules</b>	Removable / Replaceable
<b>Tilt Angle</b>	0° - not adjustable
<b>Dimensions</b>	See the drawing
<b>Weight</b>	max 8 kg
<b>Exposed surface</b>	Side: 0.05m <sup>2</sup> – Top: 0.23m <sup>2</sup>
<b>Mounting</b>	TP: Post-top mounting Ø60-70-76-80-102mm BR-C: short bracket version on poles Ø102-114-127mm TP BR-L: long bracket version L.1mt on poles Ø102mm PR: mounting on rectangular / square pole.
<b>Gear tray</b>	Removable plate.
<b>Operating temp.</b>	-40°C / +50°C
<b>Storage temperature</b>	-40°C / +80°C
<b>Main reference standards</b>	EN 60598-1, EN 60598-2-3, EN 62471, EN 55015, EN 61547, EN 61000-3-2, EN 61000-3-3
ELECTRICAL CHARACTERISTICS	
<b>Rated voltage</b>	220÷240V 50/60Hz (Standard tolerance +/-10%, other voltages and tolerances upon request)
<b>Power factor</b>	>0,95 (at full load)
<b>On-load switch</b>	Included, with integrated cable clamp.
<b>Mains connection</b>	For cables max section 4mm <sup>2</sup>
<b>Surge protection</b>	SPD integrated 10kV-10kA, type II, with LED signal and thermo fuse to disconnect load at the end of life. Pulse withstand: 10kV / 10 kV CM/DM
<b>Control system (options)</b>	F: Fixed power not dimmable. DA: Automatic dimming (virtual midnight) with default profile. DAC: Custom DA profile. FLC: Constant light flux. DB: Dual Power with control wire. WL: Wireless single point communication system. DALI: Digital dimming interface DALI. NEMA: Socket 7 pin (ANSI C136.41). ZHAGA: Socket 4 pin (ZHAGA Book 18).
<b>Optical unit lifetime (Tq=25°C, 700mA)</b>	>100.000hr L90B10 >100.000hr L90, TM-21
MATERIALS	
<b>Fixing</b>	Die-cast aluminium UNI EN1706 powder painted.
<b>Heat-sink</b>	
<b>Lower frame</b>	
<b>Upper canopy</b>	
<b>Closure hook</b>	Extruded aluminium with stainless steel spring.
<b>Optic</b>	99.85% aluminium with a surface finish in 99.95% with vacuum-sealed deposition. Alluminum grade class A+ (DIN EN 16268)
<b>Screen</b>	Flat tempered glass, 4mm thickness.
<b>Cable gland</b>	Plastic M20x1.5 - IP68
<b>Gasket</b>	Polyurethane
<b>Colour</b>	Graphite - Cod. 01

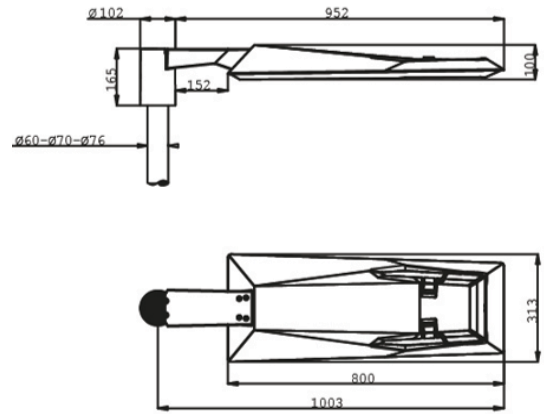
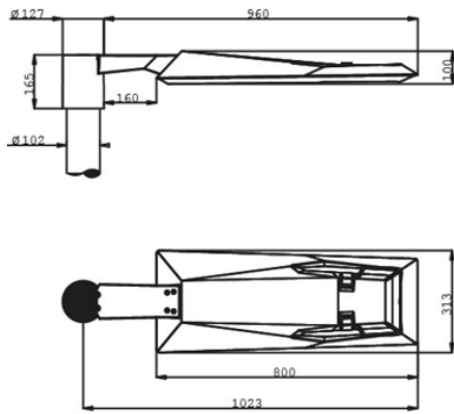


STU-M Optic

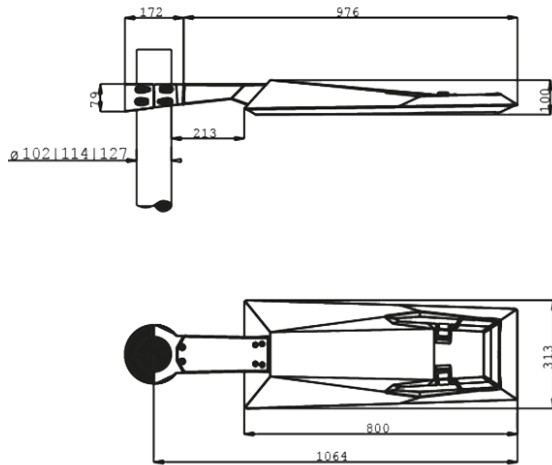
All the published photometrical data has been obtained according to EN 13032-1



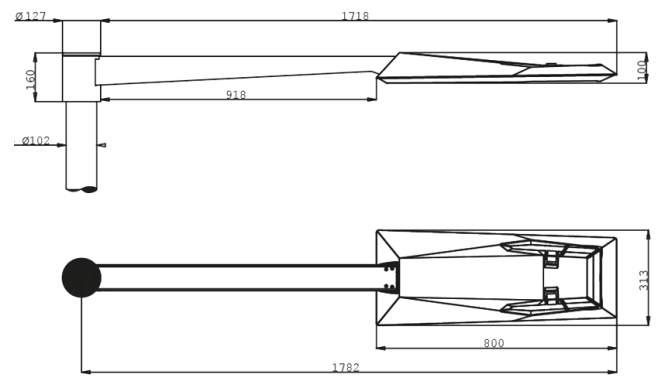
**TP Version**



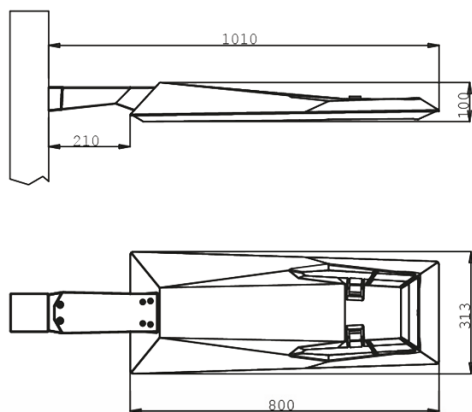
**BR-C Version**



**BR-L Version**



**PR Version**





LUMINAIRE	OPTIC	RATED LUMINAIRE FLUX* (Tq=25°C, 4000K, lm)	RATED LUMINAIRE POWER* (Tq=25°C, Vin=230Vac, F/DA/DAC, W)	LUMINAIRE EFFICACY (Tq=25°C, lm/W)	RATED LED FLUX* (Tj=85°C, 4000K, lm)	RATED LED POWER* (Tj=85°C, W)
MASTER 3 0F2H1 4.5-1M	S05 STU-M STU-S SV	1880	16	117	2184	13
MASTER 3 0F2H1 4.5-2M		3690	30.5	120	4368	26
MASTER 3 0F2H1 4.5-3M		5530	44	125	6552	39
MASTER 3 0F2H1 4.7-1M	S05 STU-M STU-S SV	2420	21	115	2765	18
MASTER 3 0F2H1 4.7-2M		4720	40	118	5530	36
MASTER 3 0F2H1 4.7-3M		7030	58	121	8295	54
MASTER 3 0F3 4.5-1M	STE-M STE-S STW	2610	21.5	121	2801	17
MASTER 3 0F3 4.5-2M		5160	39	132	5900	34
MASTER 3 0F3 4.5-3M		7490	57	131	8850	51
MASTER 3 0F3 4.7-1M	STE-M STE-S STW	3270	28	116	3735	24
MASTER 3 0F3 4.7-2M		6530	52	125	7470	48
MASTER 3 0F3 4.7-3M		9420	76	123	11205	72

\*RATED LUMINAIRE FLUX / RATED LUMINAIRE POWER: Rated data obtained in laboratory.

\*RATED LED FLUX / RATED LED POWER: Rated data extrapolated from LED manufacturer datasheet.

The characteristics of the product listed above are subjected to change without notice.

Values indicated in this technical sheet are to be considered rated values subject to a tolerance of +/-5%.



LUMINAIRE	OPTIC	RATED LUMINAIRE FLUX* (Tq=25°C, 3000K, lm)	RATED LUMINAIRE POWER* (Tq=25°C, Vin=230Vac, F/DA/DAC, W)	LUMINAIRE EFFICACY (Tq=25°C, lm/W)	RATED LED FLUX* (Tj=85°C, 3000K, lm)	RATED LED POWER* (Tj=85°C, W)
MASTER 3 0F2H1 3.5-1M	S05 STU-M STU-S SV	1750	16	109	1990	13
MASTER 3 0F2H1 3.5-2M		3430	30.5	112	3980	26
MASTER 3 0F2H1 3.5-3M		5140	44	116	5970	39
MASTER 3 0F2H1 3.7-1M	S05 STU-M STU-S SV	2250	21	107	2520	18
MASTER 3 0F2H1 3.7-2M		4390	40	109	5040	36
MASTER 3 0F2H1 3.7-3M		6540	58	112	7560	54
MASTER 3 0F3 3.5-1M	STE-M STE-S STW	2430	21.5	113	2701	17
MASTER 3 0F3 3.5-2M		4800	39	123	5402	34
MASTER 3 0F3 3.5-3M		6970	57	122	8103	51
MASTER 3 0F3 3.7-1M	STE-M STE-S STW	3040	28	108	3420	24
MASTER 3 0F3 3.7-2M		6070	52	116	6840	48
MASTER 3 0F3 3.7-3M		8760	76	115	10260	72

\*RATED LUMINAIRE FLUX / RATED LUMINAIRE POWER: Rated data obtained in laboratory.

\*RATED LED FLUX / RATED LED POWER: Rated data extrapolated from LED manufacturer datasheet.

The characteristics of the product listed above are subjected to change without notice.

Values indicated in this technical sheet are to be considered rated values subject to a tolerance of +/-5%.