

TABLED SPOT 0H SP40 4.7-9 F

MAIN CHARACTERISTICS

Applications	Urban lighting
Optic	SP40: Spot optic for floodlighting. Colour temperature: 4000K, (optional 3000K, 5700K) CRI ≥ 70 Photobiological safety class: EXEMPT GROUP LED source efficiency: 130 lm/W @ 700mA, Tj=85°C – 4000K
Insulation class	II
Protection degree	IP66
LED Modules	Removable / Replaceable maintaining IP degree of optic compartment.
Tilt Angle	Adjustable
Dimensions	See the drawing
Weight	7.5 kg
Exposed surface	Side: 0.07m ² – Top: 0.03m ²
Mounting	On poles Ø60-Ø76mm other diameters on request.
Deflector	Removable
Gear tray	Removable plate.
Operating temp.	-40°C / +35°C
Storage temperature	-40°C / +80°C
Main reference standards	EN 60598-1, EN 60598-2-3, EN 62471, EN 55015, EN 61547, EN 61000-3-2, EN 61000-3-3



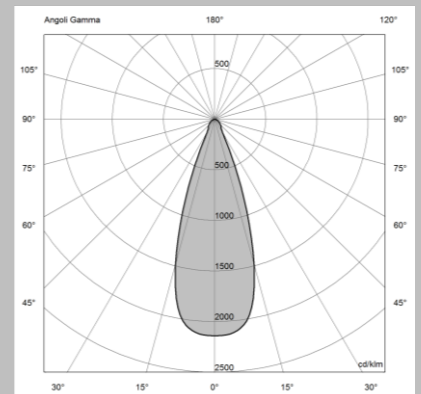
ELECTRICAL CHARACTERISTICS

Rated voltage	220÷240V 50/60Hz
LED current	700mA
Power factor	>0,9 (at full load)
Mains connection	For cables max section 2.5mm ²
Control system	F: Fixed output.
Optical unit lifetime	>50.000hr B20L80 (including critical failures) >100.000hr L80, TM-21

MATERIALS

Fixing	Galvanized steel, powder painted.
Heat-sink	Extruded aluminium EN AW - UNI EN 755
Body and deflector	Aluminum, powder painted
Optic	High efficiency metalized polycarbonate.
Screen	Flat tempered glass, 4mm thickness.
Cable gland	Metallic M20x1.5 - IP68
Gasket	Polyurethane
Colour	On request.

9 LED	LUMINAIRE FLUX¹ (Ta=25°C, 4000K, lm)	RATED LED FLUX² (Tj=85°C, 4000K, lm)
	1900	2295
	RATED LUMINAIRE POWER¹ (Ta=25°C, Vin=230Vac, W)	RATED LED POWER² (Tj=85°C, W)
	20	18
	LUMINAIRE EFFICIENCY (Ta=25°C, lm/W)	
	95	

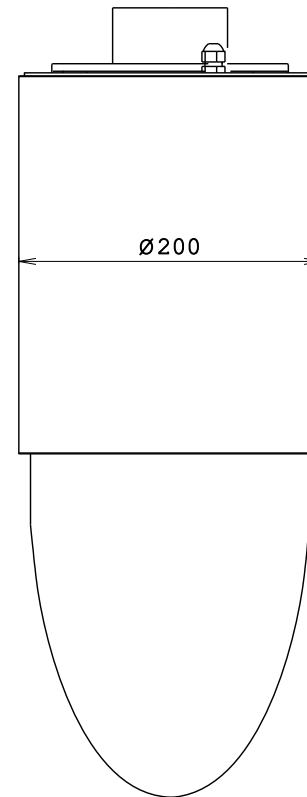
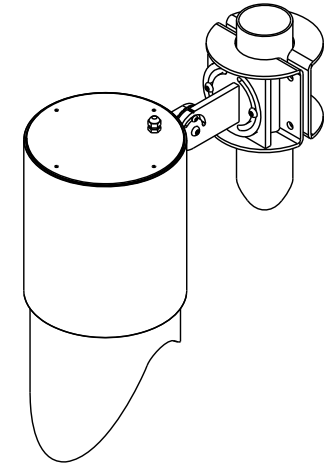
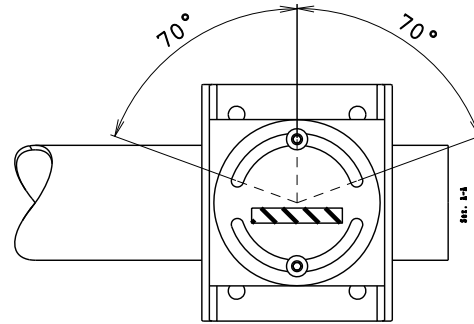
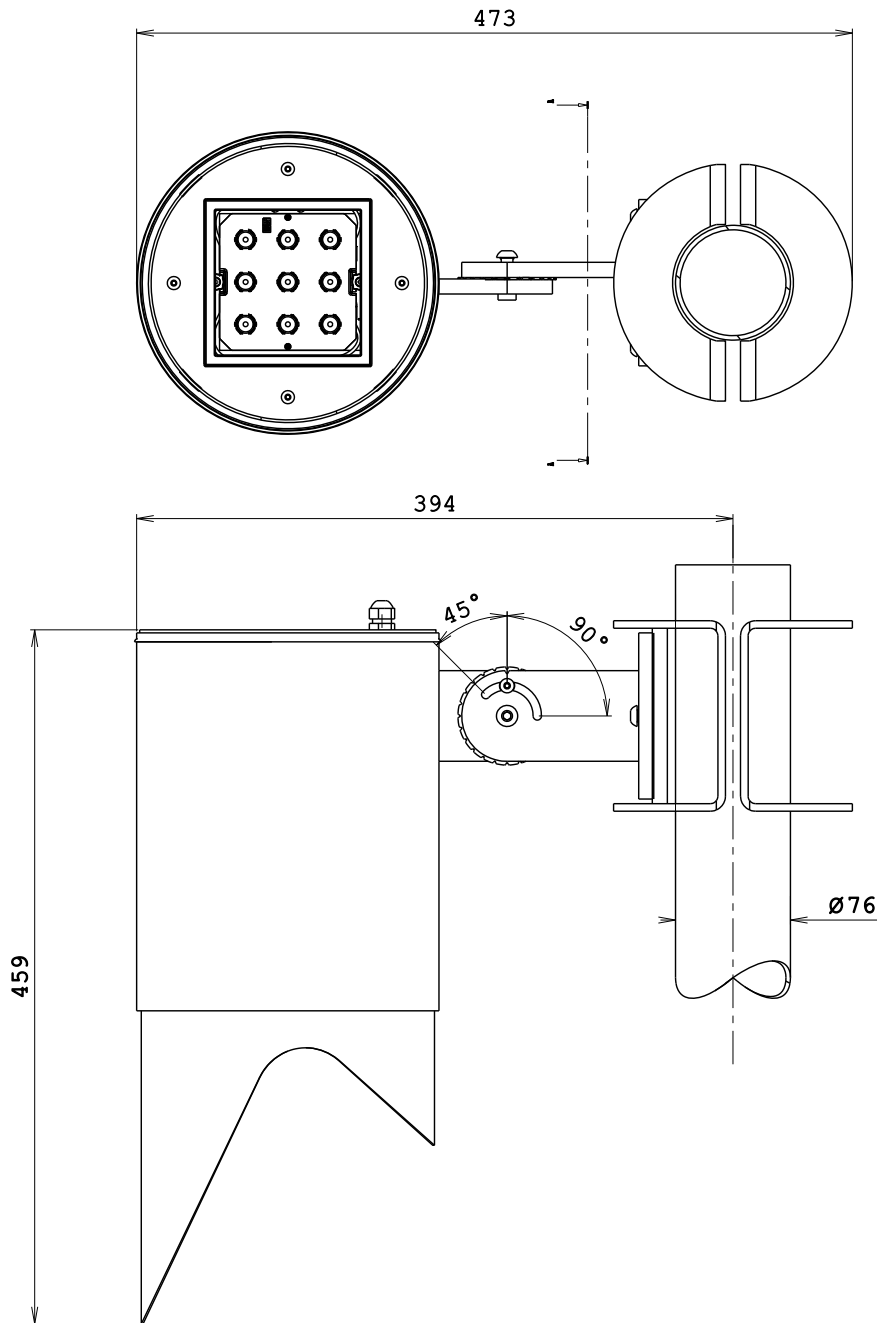


All the published photometrical data has been obtained according to EN 13032-1

Note: Data listed above are subject to change without notice. They will have to be confirmed in case of order. Values indicated in this technical sheet are to be considered rated values subject to a tolerance of +/-5%.

1:Rated data obtained in laboratory

2:Rated data extrapolated from LED manufacturer datasheet.



This document is property of ABC ILLUMINAZIONE S.r.l. copying, reproducing and diffusion of this document is strictly prohibited if not authorized in written by ABC ILLUMINAZIONE S.r.l.

					Descrizione	Codice
					Tabled spot	
16-0338					 quote in mm	
DXF	DWG	WKF	PDF	JPG		
Data: 20/07/16					UNI A4-h	