

Mounting and maintenance

Luminaire predisposed for post-top application.

The pole connection system is predisposed to receive poles with square section 100x100mm (Triloga 1) 140x140 (Triloga 2); on request cylindrical poles Ø60/102 mm (Triloga 1) Ø133mm (Triloga 2).

Loosen the two 4x12 screws (A - Pic. 1) lift the cover (B - Pic. 1) and tighten the three 8x20 screws from the base (C - Pic. 1) to the pole attachment (D - Pic. 1).

Take the luminaire and fix it to the pole (E - Pic. 1) through the four 8x40 screws.

After that, open the cylindrical box present between C and D and connect the luminaire to the electrical line blocking the main cable to the fairlead and then pass it through the central hole of the box to connect to the terminal board.

The luminaire must to be connect to the electrical line using a bipolar cable, with nominal diameter between 6 ÷ 13 mm.

To change the lamp, open the cover rotating the support of ¼ of turn (Pic. 2) and lift it.

In Triloga S to change the lamp, loosen the 2 screws of the lamp holder plate.

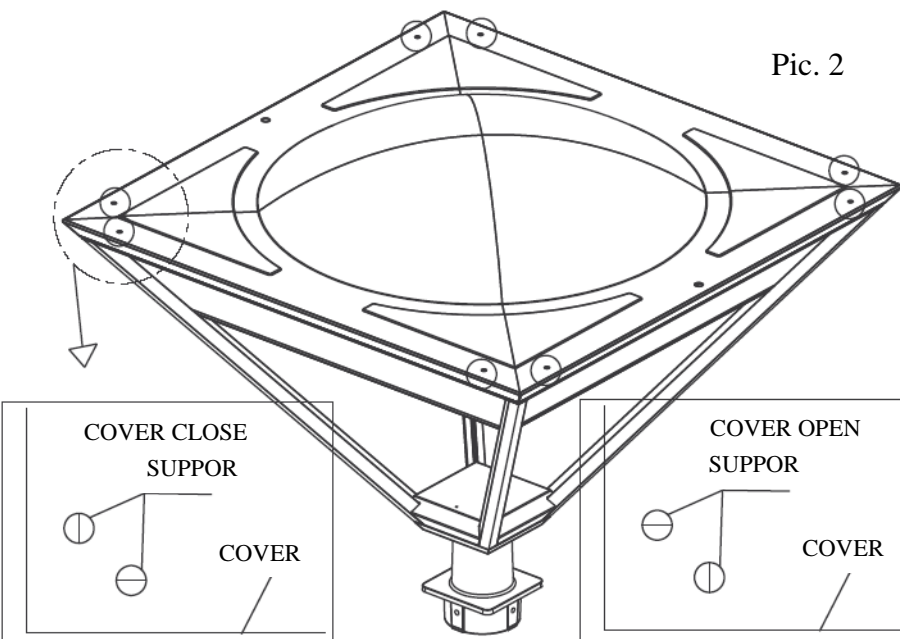
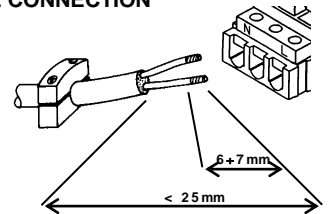
In Triloga ST to change the lamp, loosen the screw situated in the opposite part of the hinge, to allow the rotation of the reflector.

To close the cover push the support toward the bottom and rotate it like in Pic. 2.


SEE PIC. 3 FOR THE ORIENTATION OT THE ST REFLECTOR

ELECTRICAL LINE CONNECTION

In order to insure double insulation characteristic of the feeder cable, we would advise that you first secure the feeder cable to the internal cable clamp, remove approximately 25mm of external sheathing, and 6mm of sheathing from the internal wires.



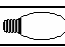
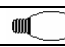
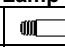
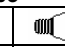
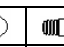
INFORMATION TO THE CUSTOMERS

 **Directive 2002/96/EC (Waste Electrical and Electronic Equipment - WEEE): information for users.**

This product complies with EU Directive 2002/95/EC. The crossed-out wastebasket symbol on the appliance means that at the end of its useful lifespan, the product must be disposed of separately from ordinary household wastes. The user is responsible for delivering the appliance to an appropriate collection facility at the end of its useful lifespan. Appropriate separate collection to permit recycling, treatment and environmentally compatible disposal helps prevent negative impact on the environment and human health and promotes recycling of the materials making up the product. For more information on available collection facilities, contact your local waste collection service.

Suggested height of installation		
Power [W]	H min [m]	H max [m]
70	4	6
100	5	7
150	6	8
250	7	9

Lamp Type - Weight

Model	Lamp Type					Weight [gr]	
						Empty	With C.G.
	MBF	SHP E	SHP T	MHL E	MHL T		
TRILOGA 1 S	80W	70W	70W	70W	-	12.000	14.000
	125W	100W	100W	100W	-		14.000
	-	150W	150W	150W	-		14.500
TRILOGA 1 ST	80W	70W	70W	70W	-	12.000	14.000
	125W	-	100W	100W	-		14.000
	-	-	150W	150W	-		14.500
TRILOGA 2 S	80W	70W	70W	70W	-	22.000	24.000
	125W	100W	100W	100W	-		24.000
	250W	150W	150W	150W	-		24.500
	-	250W	-	250W	250W		24.500
TRILOGA 2 ST	80W	70W	70W	70W	-	22.000	24.000
	125W	-	100W	100W	-		24.000
	-	-	150W	150W	-		24.500
	-	-	250W	-	250W		24.500

Lamp Position TRILOGA 1 Optic S

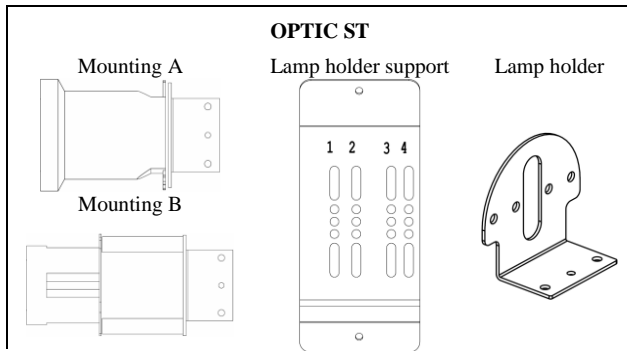
Power	Position	Mounting
80W MBF	C-H	ROT
125W MBF	B-E	ROT
70W SHP-E	C-M	ROT
100W SHP-E	B-F	NOR
150W SHP-E (*)	Only one	
70W SHP-T	A-E	ROT
100W SHP-T (*)	Only one	
150W SHP-T (*)	Only one	
70W MHL-E	C-H	ROT
100W MHL-E	C-H	ROT
150W MHL-E	C-H	ROT

Lamp Position TRILOGA 2 Optic S

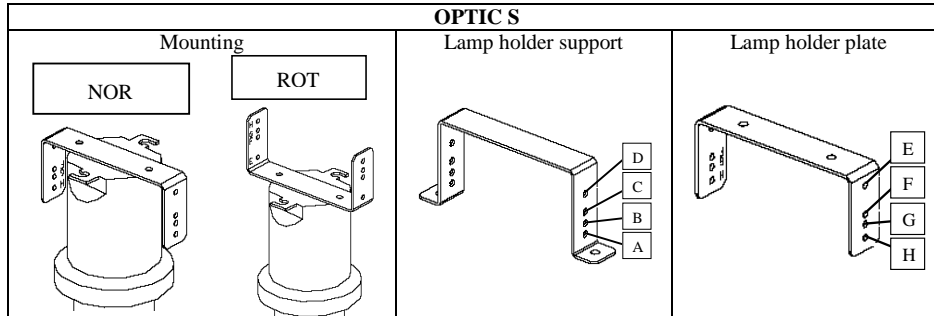
Power	Position	Mounting
80W MBF	A-H	ROT
125W MBF	C-H	ROT
250W MBF	C-E	NOR
70W SHP-E	A-H	ROT
100W SHP-E	A-E	NOR
150W SHP-E	C-E	NOR
250W SHP-E	C-E	NOR
70W SHP-T	A-G	ROT
100W SHP-T	B-E	NOR
150W SHP-T	B-E	NOR
70W MHL-E	A-H	ROT
100W MHL-E	A-H	ROT
150W MHL-E	A-H	ROT
250W MHL-E	A-H	ROT
250W MHL-E	C-E	NOR
250W MHL-T	D-E	NOR

Lamp Position TRILOGA 1-2 Optic ST

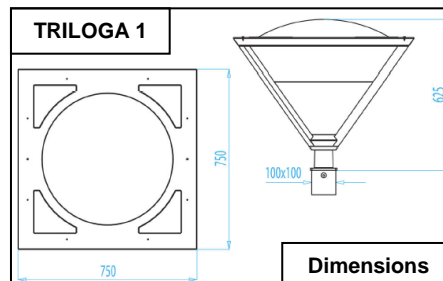
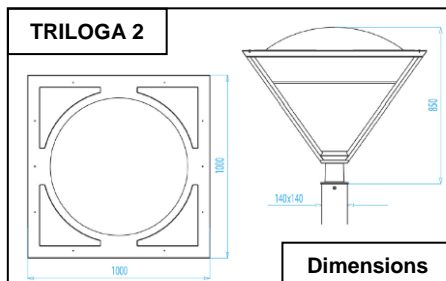
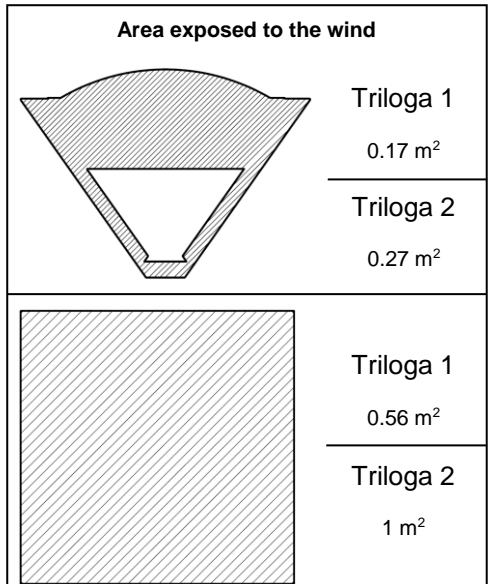
Power	Position
80W MBF	1B
125W MBF	2B
70W SHP-E	1B
70W SHP-T	2B
100W SHP-T	2A
150W SHP-T	2A
250W SHP-T	4A
70W MHL-E	1B
100W MHL-E	1B
150W MHL-E	1B
250W MHL-T	3A
45W CPO	2B



OPTIC S



Area exposed to the wind



ATTENTION

- The luminaire can't be installed close to flammable surfaces.
- Class II luminaires must be installed in such a way that it is impossible for any exposed metal part to come in contact with electrical components.
- Luminaires for Metal Halide lamps must be always complete with its protective screen.
- For luminaires with Metal Halide lamps, damaged protective shields can only be replaced with original AEC Illuminazione's replacement shields.
- On luminaires for Metal Halide lamps use only UV Stop protected lamps.
- This luminaire has been designed and manufactured following all relevant standards. The installation must be done by experienced personnel and following the instructions.

The present instruction paper has to be kept for any future maintenance operation on the luminaire. Non compliance with the above will automatically release AEC Illuminazione Srl from any responsibility.