

**MOUNTING INSTRUCTION**

*Fitting suitable for post-top installation.*

To connect the luminaire to the electrical line is enough connect to the waterproof terminal board (Pic. 4).

**Class I luminaire** : In class I use a 3 poles cable (Line + Neutral + Earth). Connect the green-yellow wire to the  $\oplus$  terminal.

**Class II luminaire** : In class II use a 2 poles cable (Line + Neutral).

The luminaire has to be powered with a cable with nominal diameter between 7mm and 13.5mm.

To connect the terminal board, hold the output cable clamp nut (see Pic. 4), unscrew the body of the waterproof terminal board (Pic. 4) and pass the mains cable through the cable clamp; the cable clamp is equipped with a seal which should be maintained if the mains cable has a nominal diameter between 7mm and 9mm, while it should be removed if the cable has a diameter included between 9.5mm and 13.5mm. Connect to the input terminal board, respecting polarities (LINE - NEUTRAL). For further details see' "ELECTRICAL LINE CONNECTION". After connecting the mains cable, tighten the body of the terminal board with an adjustable wrench of 29mm and applying a twisting moment of 2.5Nm. After tightening the body, tighten the cable clamp with an adjustable wrench of 24mm and apply a twisting moment of 4.5Nm (Pic. 5).

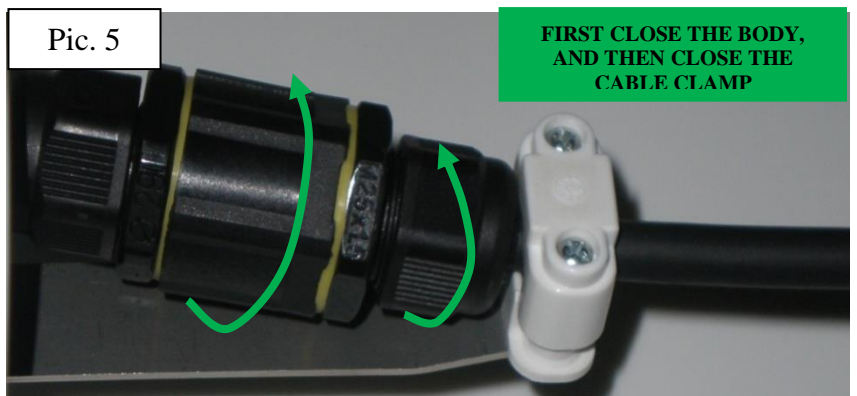
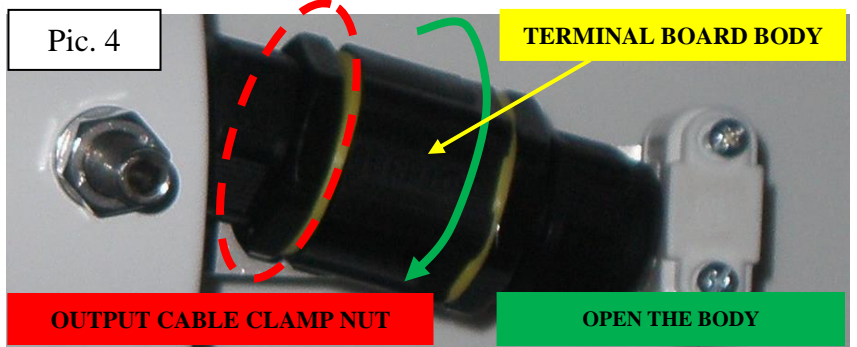
Mount the luminaire to the pole and block it with the 4 grub screws 8x10 (B – Pic. 1). To tighten the grub screws use a set screw wrench of 4mm applying a twisting moment of 8Nm.

In case the luminaire has the PLM, annotate the serial number of the control device (Pic. 1).

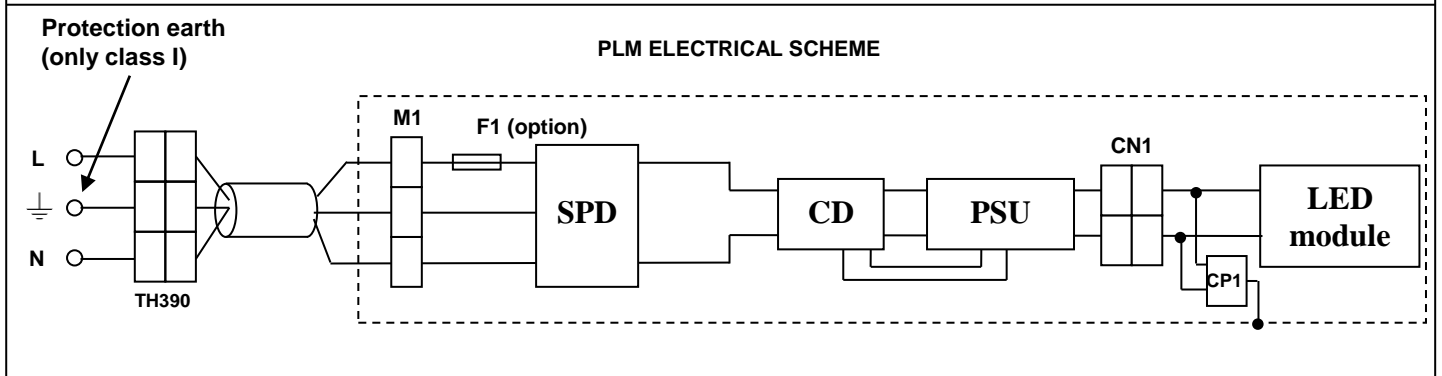
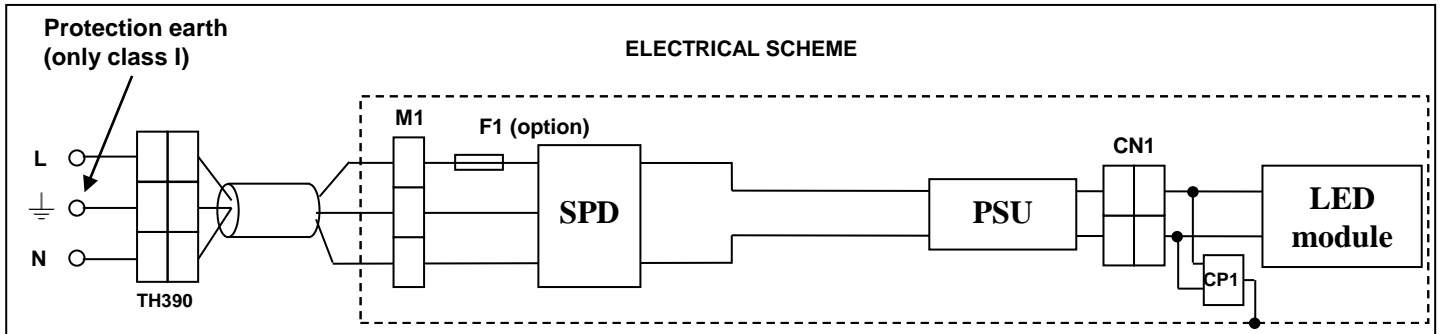
When it is necessary, you can extract the gear tray; unscrew the 4 screws 6x20 (C – Pic. 3) using a set screw wrench of 5mm and remove the side cap.

Disconnect first the mains connector (D – Pic. 2) and then the LED connector (E – Pic. 2) and extract the gear tray. Once finished the operations, replace the gear tray in right position and connect first the LED connector and then the mains connector.

Replace the side cap in right position and tighten the 4 screws (C) taking care of o-ring not be deformed. Tighten the 4 screws using a set screw wrench of 5mm, applying a twisting moment of 8Nm.



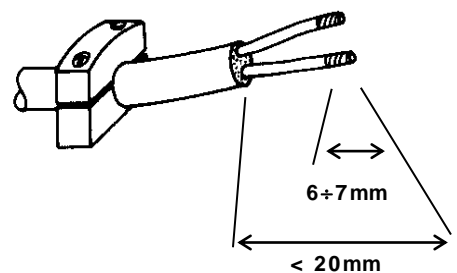
**MOUNTING AND  
MAINTENANCE INSTRUCTION**



<b>F</b>	Fuse 250Vac 10A (provide the fuse externally if not present into the luminaire)	<b>SPD</b>	Surge protection device
<b>CN</b>	Connector	<b>PSU</b>	LED Power supply
<b>M</b>	Terminal	<b>CD</b>	Control device
<b>CP</b>	LED protection circuit		

**ELECTRICAL LINE CONNECTION**

In order to insure double insulation characteristic of the feeder cable, we would advise that you first secure the feeder cable to the internal cable clamp, remove approximately 20mm of external sheathing, and 6-7mm of sheathing from the internal wires.

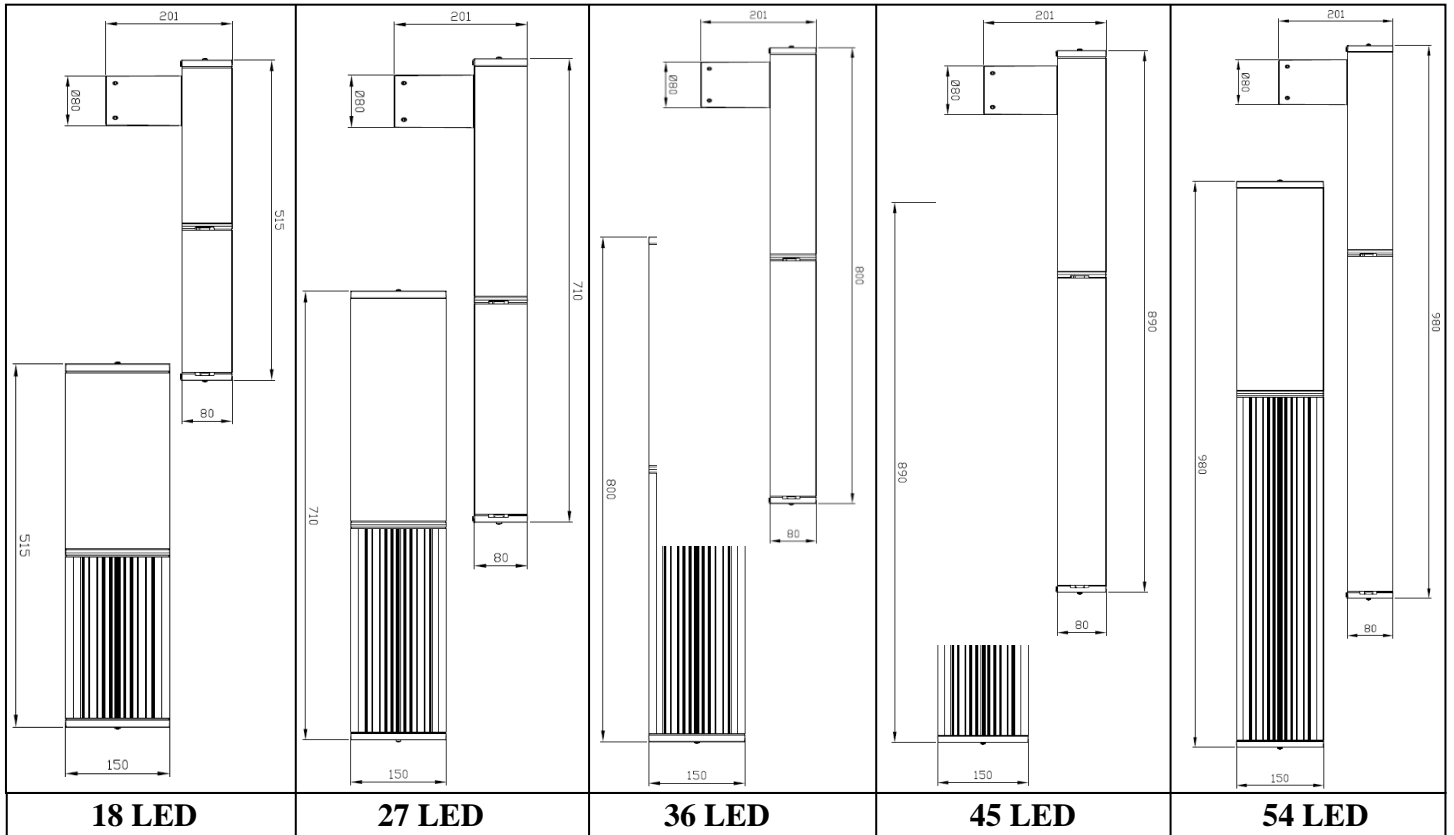


**INFORMATION TO THE CUSTOMERS**



**Directive 2002/96/EC (Waste Electrical and Electronic Equipment - WEEE): information for users.**

This product complies with EU Directive 2002/95/EC. The crossed-out wastebasket symbol on the appliance means that at the end of its useful lifespan, the product must be disposed of separately from ordinary household wastes. The user is responsible for delivering the appliance to an appropriate collection facility at the end of its useful lifespan. Appropriate separate collection to permit recycling, treatment and environmentally compatible disposal helps prevent negative impact on the environment and human health and promotes recycling of the materials making up the product. For more information on available collection facilities, contact your local waste collection service.



X-MOD luminaire is classified under **“EXEMPT GROUP”** according to photobiological safety standard **IEC/EN 62471**.

**NO RISK**  
for the operators and end users.

**XMOD  
PX**

n° LED	Weight	Base area	Side area
18 LED	5 Kg	0.078 m <sup>2</sup>	0.050 m <sup>2</sup>
27 LED	7 Kg	0.106 m <sup>2</sup>	0.067 m <sup>2</sup>
36 LED	8 Kg	0.120 m <sup>2</sup>	0.074 m <sup>2</sup>
45 LED	9 Kg	0.134 m <sup>2</sup>	0.081 m <sup>2</sup>
54 LED	10 Kg	0.148 m <sup>2</sup>	0.089 m <sup>2</sup>

Forma factor: 1.2

Max height of installation: 15m

**X-MOD versions**

Luminaire	Ta	Use
X-MOD 18	35°C	INDOOR / OUTDOOR
X-MOD 27	35°C	INDOOR / OUTDOOR
X-MOD 36	35°C	INDOOR / OUTDOOR
X-MOD 45	35°C	INDOOR / OUTDOOR
X-MOD 54	35°C	INDOOR / OUTDOOR

**ATTENTION**

- The luminaire can be installed close to flammable surfaces.
- Class II luminaires must be installed in such a way that it is impossible for any exposed metal part to come in contact with electrical components.
- The device has developed in compliance with the current standards; it is necessary that the installation is done properly, according to the instructions supplied.

The present instruction paper has to be kept for any future maintenance operation on the luminaire. Non compliance with the above will automatically release AEC Illuminazione Srl from any responsibility.

