

MOUNTING INSTRUCTION

Electrical connection

Fix the luminaire fixing plate to the pole tightening the 4 screws 6x16TS (A – Pic. 1) to the nutsert on the pole. Tighten the screws with a set screw wrench of 4mm applying twisting moment of 8Nm. To connect the luminaire to the electrical line is enough connect to the waterproof terminal board (Pic. 2).

Class I luminaire : In class I use a 3 poles cable (Line + Neutral + Earth). Connect the green-yellow wire to the \oplus terminal.

Class II luminaire : In class II use a 2 poles cable (Line + Neutral).

The luminaire has to be powered with a cable with nominal diameter between 7mm and 13.5mm

Go out the mains cable from the hole of the pole (B – Pic. 1) and connect to the terminal board, hold the output cable clamp nut (see Pic. 2), unscrew the body of the waterproof terminal board (Pic. 2) and pass the mains cable through the cable clamp; the cable clamp is equipped with a seal which should be maintained if the mains cable has a nominal diameter between 7mm and 9mm, while it should be removed if the cable has a diameter included between 9.5mm and 13.5mm. Connect to the input terminal board, respecting polarities (LINE - NEUTRAL). For further details see "ELECTRICAL LINE CONNECTION". After connecting the mains cable, tighten the body of the terminal board with an adjustable wrench of 29mm and applying a twisting moment of 2.5Nm. After tightening the body, tighten the cable clamp with an adjustable wrench of 24mm and apply a twisting moment of 4.5Nm (Fig. 3). At the end pass the cable through hole of the pole (B – Pic. 1) paying attention to not damage it.

Fixing to the rectangular pole

To fix the luminaire to the rectangular pole, place the luminaire horizontally and tighten the 2 screws 6x16TS (C – Pic. 4) and the 2 screws 6x20 VTCE (D - Pic. 4). To tighten the 6x16TS use a set screw wrench of 4mm and apply a twisting moment of 8Nm. To tighten the 6x20VTCE use a set screw wrench of 5mm and apply a twisting moment of 8Nm. In case the luminaire has the PLM, annotate the serial number of the control device (Pic. 4).

Maintenance

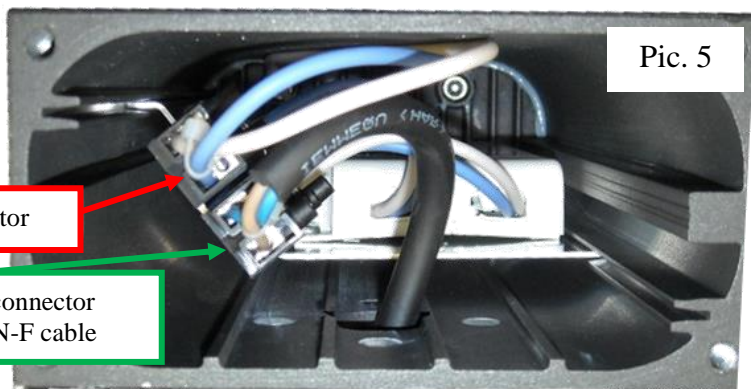
When it is necessary, you can take away the gear tray. First place the luminaire in vertical position (as in Pic. 1) and then unscrew the 4 screws 6x20 (E – Pic. 1) using a set screw wrench of 5mm.

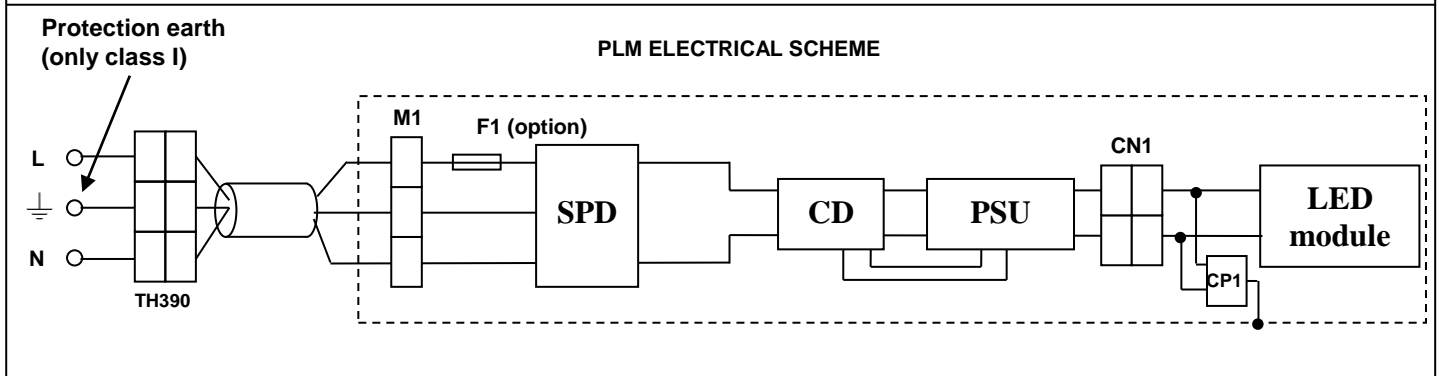
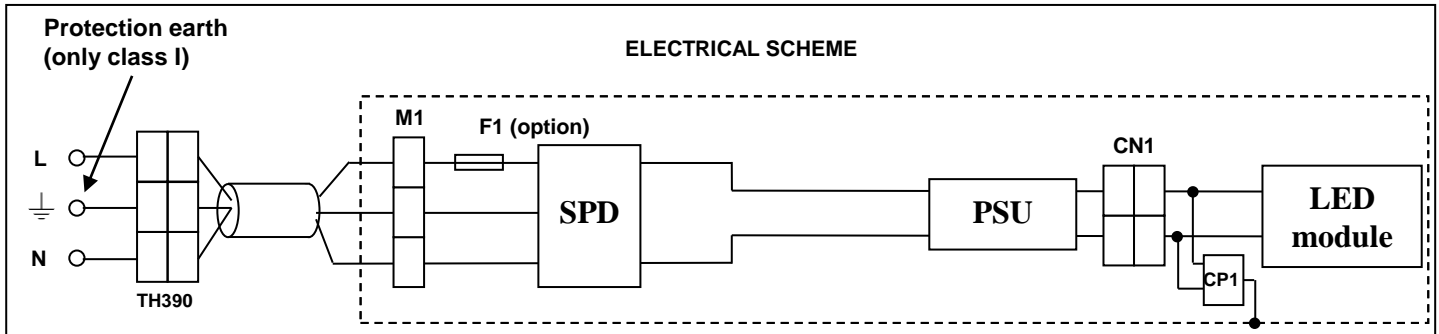
Disconnect first the mains connector (F – Pic. 5) then the LED connector (G – Pic. 5) and extract the gear tray.

Once finished the operations, place the gear tray in right position and connect first the LED connector end then the mains connector.

Place the cap in position and tighten the 4 screws (E – Pic. 1) taking care of o-ring not be deformed. Tighten the 4 screws using a set screw wrench of 5mm, applying a twisting moment of 8Nm.

Finally, to fix the luminaire to the pole, follow the instruction shows in "Fixing to the rectangular pole".

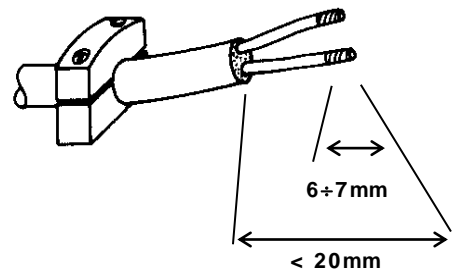




F	Fuse 250Vac 10A (provide the fuse externally if not present into the luminaire)	SPD	Surge protection device
CN	Connector	PSU	LED Power supply
M	Terminal	CD	Control device
CP	LED protection circuit		

ELECTRICAL LINE CONNECTION

In order to insure double insulation characteristic of the feeder cable, we would advise that you first secure the feeder cable to the internal cable clamp, remove approximately 20mm of external sheathing, and 6-7mm of sheathing from the internal wires.



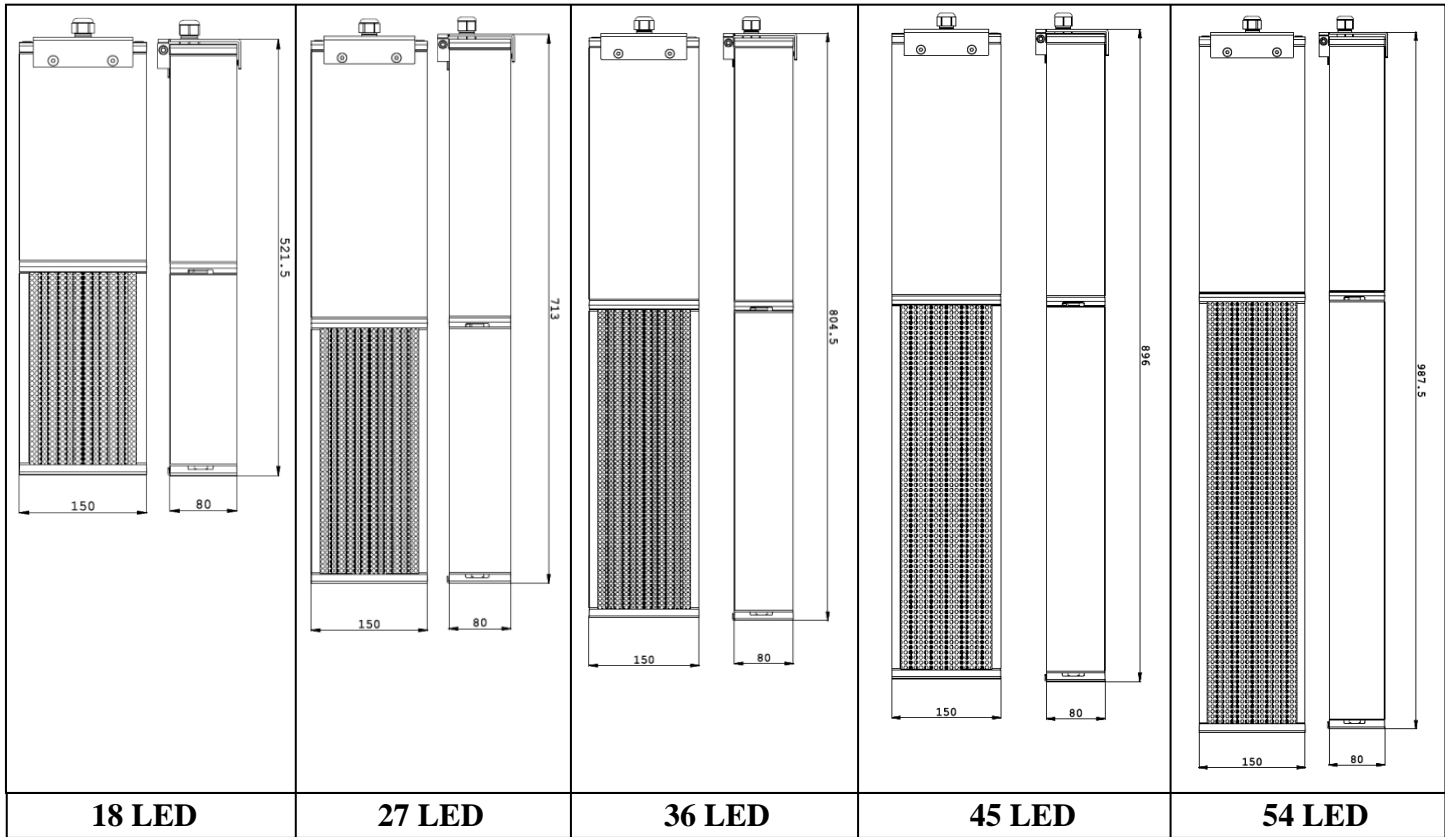
INFORMATION TO THE CUSTOMERS



Directive 2002/96/EC (Waste Electrical and Electronic Equipment - WEEE): information for users.

This product complies with EU Directive 2002/95/EC. The crossed-out wastebasket symbol on the appliance means that at the end of its useful lifespan, the product must be disposed of separately from ordinary household wastes. The user is responsible for delivering the appliance to an appropriate collection facility at the end of its useful lifespan. Appropriate separate collection to permit recycling, treatment and environmentally compatible disposal helps prevent negative impact on the environment and human health and promotes recycling of the materials making up the product. For more information on available collection facilities, contact your local waste collection service.

MOUNTING AND MAINTENANCE INSTRUCTION



18 LED

27 LED

36 LED

45 LED

54 LED



X-MOD luminaire is classified under **“EXEMPT GROUP”** according to photobiological safety standard **IEC/EN 62471**.

NO RISK
for the operators and end users.



n° LED	Weight	Base area	Side area
18 LED	5 Kg	0.078 m ²	0.040 m ²
27 LED	7 Kg	0.106 m ²	0.057 m ²
36 LED	8 Kg	0.120 m ²	0.064 m ²
45 LED	9 Kg	0.134 m ²	0.071 m ²
54 LED	10 Kg	0.148 m ²	0.079 m ²

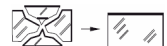
Form factor: 1.2

Max height of installation: 15m

X-MOD versions

Luminaire	Ta	Use
X-MOD 18	35°C	INDOOR / OUTDOOR
X-MOD 27	35°C	INDOOR / OUTDOOR
X-MOD 36	35°C	INDOOR / OUTDOOR
X-MOD 45	35°C	INDOOR / OUTDOOR
X-MOD 54	35°C	INDOOR / OUTDOOR

ATTENTION



- The luminaire can be installed close to flammable surfaces.
- Class II luminaires must be installed in such a way that it is impossible for any exposed metal part to come in contact with electrical components.
- The device has developed in compliance with the current standards; it is necessary that the installation is done properly, according with the instructions supplied.

The present instruction paper has to be kept for any future maintenance operation on the luminaire. Non compliance with the above will automatically release AEC Illuminazione Srl from any responsibility.